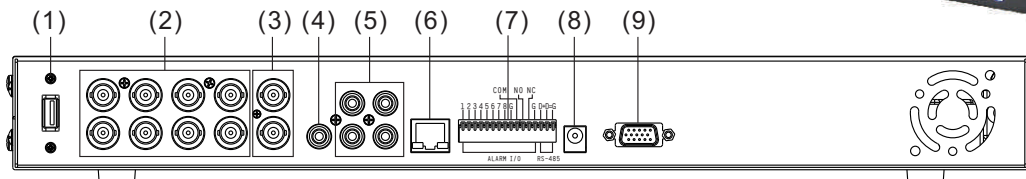


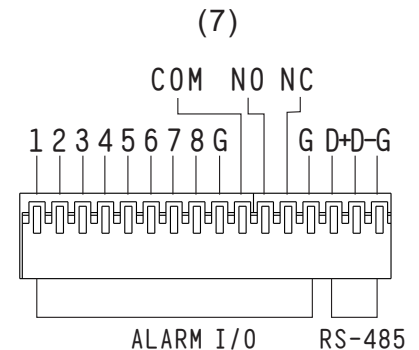
TA-860/ TA-860-RW



INSTALLATION



- | | |
|-------------------|---------------------------------|
| (1) MOUSE PORT. | COM:Relay COM output. |
| (2) VIDEO IN. | NO:Relay N.O. output. |
| (3) VIDEO OUT. | NC:Relay N.C. output. |
| (4) AUDIO OUT. | D+、D-:RS-485. |
| (5) AUDIO IN. | (8) POWER INPUT:Please use the |
| (6) LAN. | power supply enclosed. |
| (7) 1~8:ALARM IN. | The adaptor must be:DC12V / 4A. |
| G:GROUND. | (9) XGA Output. |



Features



1. Triplex Standalone (Record / Playback / Network).
2. Recording speed 60/50fps.
3. Support flash slot USB archiving.
4. Screen position adjustable.
5. NTSC / PAL system compatible.
6. Advance video compression MPEG.
7. Manual / Motion / Programmed recording modes.
8. Automatically recording while alarm triggered.
9. Playback search by Time / Date / Event List modes.
10. Watch Dog.
11. HD usage rate indicator.
12. Motion detection.
13. Support Audio recording (4 Input 10Output).
14. Support SATA HD.
15. Auto Sequence Switching of channels.
16. Support PTZ(Pan/Tilt/Zoom) control.
17. Support Alarm Input (8 Input,10Output).
18. Support Mouse OSD control.
19. LAN (TCP/IP,DHCP).
20. Support CD-RW / DVD-R backup (Optional).
21. IR remote controller .
22. VGA output (Optional).