

SYSTEM CONTROLLER

SK-AR12, SK-AR13

Features

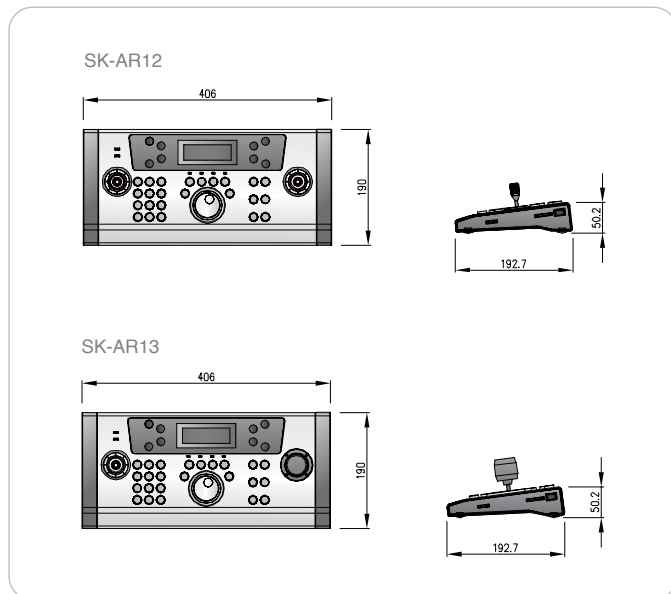
- Multi-controller (Various protocol and transmission speed)
- Built-in jog dial & two joysticks
- Twin 2-Axis joystick : SK-AR12
- 3-Axis joystick + 2-Axis joystick : SK-AR13
- Compatible with PTZ, DVR & other equipment



CONTROLLER

Dimension

Unit : mm



Specification

MODEL	SK-AR12 , SK-AR13
Protocol	SK-P Protocol Dongyang Protocol Pelco-D Protocol Pelco-P Protocol
Baud Rate	2400 bps 4800 bps 9600 bps
Communication	RS-485/RS-422
Power Supply	Regulated 12V DC±10%
Current Consumption	Max. 270mA at 12V DC
Operation Temp.	-10°C ~ 50°C
Preservation Temp.	-20°C ~ 60°C
Dimension	406(W)x190(H)x50.2(D)mm
Weight	Approx. 1.1kg
Max Control	255
LCD	20 Charactersx4 Lines