

# ADVANCED HIGH RESOLUTION DAY & NIGHT CAMERA

## SK-B140, SK-B140X

### Features

- Advanced high res. : 550TV-Line(SONY HQ1 Chipset)
- 1/3" COLOR SONY SUPER HAD CCD : SK-B140  
1/3" COLOR SONY EXview HAD CCD : SK-B140X
- True Day & Night function(Exchange of two filters)
- Option : 12V DC or 24V AC Dual voltage with Line-Lock
- Perfect D&N operation with dual photoconductive sensor
- Dynamic blemish compensation
- Video test connector for easy installation
- Functions are controllable by the push buttons with semi OSD

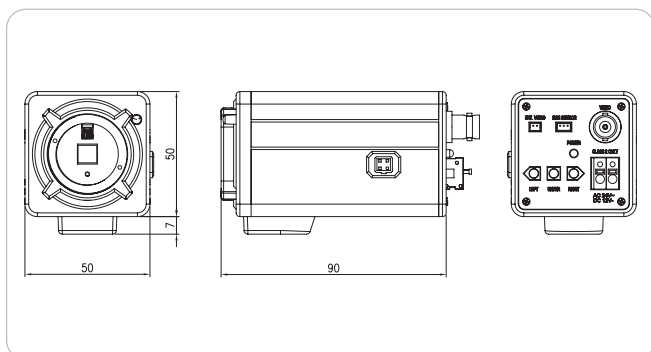


### SK-B140X



### Dimension

Unit : mm



### Specification

MODEL	SK-B140	SK-B140X
CCD Type	1/3" COLOR SONY SUPER HAD CCD	1/3" COLOR SONY EXview HAD CCD
Pixel	410K	
Scanning	2:1 Interlace	
Sync. Type	Internal/External(Line-Lock)	
Resolution	Color : 550TV-Line, B/W : 600TV-Line	
Video Output	1.0Vp-p(Sync. Negative) Termination 75Ω ±10%	
S/N Ratio	45dB(AGC OFF)	
Min. Illumination	0.05Lux	0.01Lux
Day & Night	True D&N(AUTO/COLOR/BW)	
OSD	Semi OSD	
Lens Mount	C/CS Mount	
Gamma	γ = 0.45 typ	
Gain Control	LOW/MIDDLE/HIGH	
Shutter Speed	1/60(1/50) ~ 1/100,000sec	
Power Supply	24V AC or Regulated 12V DC Dual Voltage	
Current Consumption	Max. 350mA(at 12V DC, 24V AC)	
Operation Temp.	-10°C ~ 50°C	
Preservation Temp.	-20°C ~ 60°C	
Dimension	50(W)x57(H)x95(L)mm	
Weight	Approx. 300g	