

GEN II SUPREME RESOLUTION LWDR CAMERA SK-B141(D)/M844 MANUAL

FEATURES

1. New generation, new technology Gen II DSP adopted
2. This camera supports the supreme resolution, (600 TV-Line : Color)
3. This camera can distinguish daytime and night. And it changes its mode according to intensity of illumination. It can watch an object at most suitable mode, "Color in daytime, and B/W at night".
4. Support 8 different privacy zone
5. Adopted 3D DNR technology, It reduces noise efficiently in low light condition.
6. Multi-language full OSD support
7. Provide Max. 10x digital zoom
8. LWDR(Low frame Wide Dynamic Range) & DWDR(Digital Wide Dynamic Range)
9. DIS(Digital Image stabilizer) relieves any picture tremble due to external factor such as wind.
10. You can connect power supply regardless polarity.

CAUTION AND WARNING

1. Do not install the camera outdoors. Use weather-proof housing for outdoor.
2. Choose an ideal location for the camera, since the camera unit must be protected against moisture and vibration.
3. Be careful not to scratch the camera unit, especially lens glass.
4. Use the camera under proper temperature. (-10°C ~ +50°C)
5. Handle with care. Dropping it can cause serious damage to the camera.
6. Avoid any direct sun light into the lens.
7. Use the adaptor regulated 12V DC, 500mA. Dual voltage product can use 24V AC, 500mA adaptor. (Option)



If the product is to be put out of operation definitively, take it to a local recycling plant for a disposal which is not harmful to the environment.

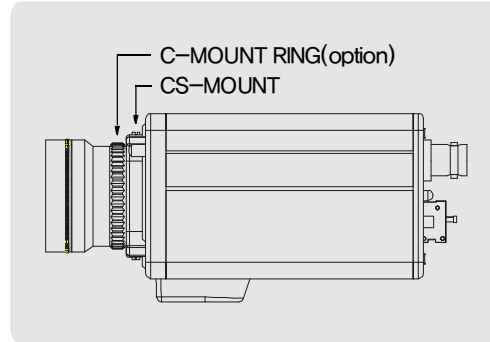
DESCRIPTION OF OPERATION

1. Remove the protective rubber before installing a CS mount lens. (If you use a C mount lens, add a C mount ring. - option)
2. Connect the video output jack to the monitor video in jack.
3. Connect power supply. Check the voltage.

LENS CONNECTION

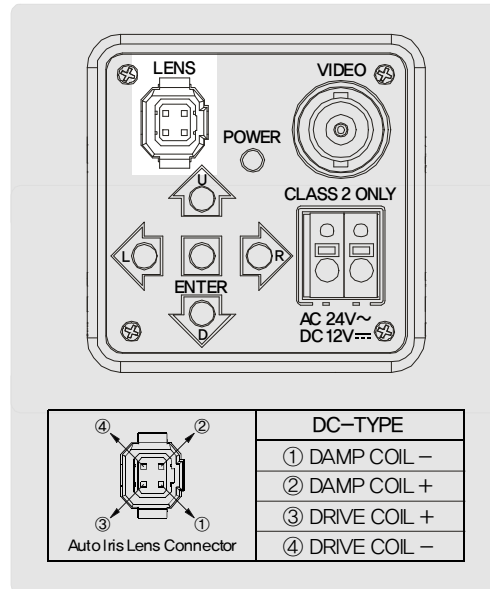
1. Manual iris lens

- 1) Before mounting a lens, please check whether it is a C mount or CS mount lens.
- 2) CS mount lens : After removing the protective rubber, attach the lens.
- 3) C mount lens : Before installing the lens, attach the C mount ring to the camera.
- 4) Set the LENS mode to "manual" by OSD.



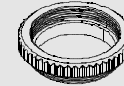
2. Auto iris lens

- 1) Attach a DC lens as like the manual lens connection.
- 2) Connect the lens plug to the auto iris lens connector on the rear panel of the camera.
- 3) Set the LENS mode to DC and adjust DC level by OSD.



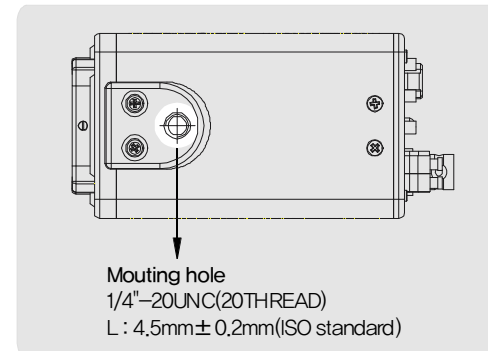
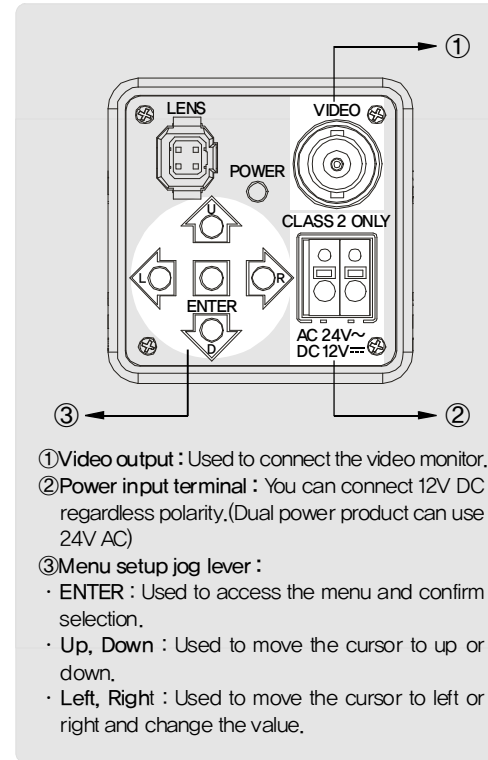
※ The lens is not supplied with this camera

ACCESSORIES

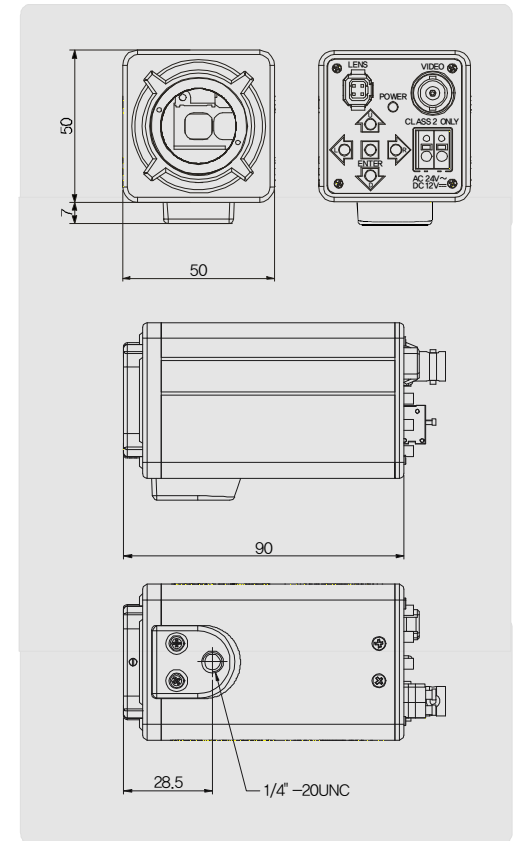


C MOUNT RING - (option)

OVERVIEW



DIMENSION



TROUBLESHOOTING GUIDE

Before calling service, check the following points for possible misuse.

Problem	Check point
Too dark or bright picture	Readjust the contrast or brightness controls on the monitor.
No Power	Check for power connection.
Poor picture quality	Clean the camera lens. Readjust lens focus.
Shrinking picture	Check the condition of the power sources.

If you can't correct the problem after going through this chart, contact a service professional for further assistance.

SPECIFICATION

Model No.	SK-B141(D)/M844
Image Sensor	1/3" SONY SUPER HAD CCD II
Effective Pixel	768(H) X 494(V) PIXEL(NTSC) 752(H) X 582(V) PIXEL(PAL)
Cell Size	6.35 μ m(H) X 7.4 μ m(V) (NTSC) 6.5 μ m(H) X 6.25 μ m(V) (PAL)
Scanning System	2:1 Interlace
Sync. Type	Internal/ Line-Lock(option)
Resolution	600 TV-Line(COLOR), 700 TV-Line(B/W)
S/N	52dB or More(AGC OFF)
Video Output	1.0 Vp-p(Sync. Negative) Termination 75 Ω
Min. Illumination	0.01 Lux(F/1.2), 0.0003Lux(Sense up)
Gamma	$\gamma = 0.45$ typ.(0.45, 0.6, 1.0, user)
OSD	Yes(Multi Language)
White Balance	ATW(2,500°K ~ 9,500°K)/MANUAL/AWC
Shutter Speed	1/60(1/50) ~ 1/100,000sec
Sense Up	Auto(Selectable limit 2X~256X)/FIXED/OFF
Backlight	BLC, LWDR, DWDR, HLC(ON/OFF)
AGC	LOW/MIDDLE/HIGH/OFF
DNR(3D)	LOW/MIDDLE/HIGH/OFF
Motion Detection	ON/OFF(240 Block)
Privacy Zone	ON/OFF(8 Zone)
Mirror	H/V/BOTH
Freeze	ON/OFF
Day & Night	True D&N(AUTO, COLOR, B/W)
DIS	ON/OFF
Digital Zoom	ON(10X)/OFF
Blemish Compensation	AUTO/OFF
Lens	CS Mount
Power Supply	12V DC \pm 10%(24V AC : option)
Current Consumption	Max. 500mA(at 12V DC, 24V AC)
Operation Temp.	-10°C ~ 50°C
Preservation Temp.	-20°C ~ 60°C
Dimension	50(W) X 57(H) X 90(D)mm
Weight	Approx. 300g

OSD MENU

Function setting menu	Select menu	Sub menu	Contents
1. EXPOSURE	LENS	MANUAL \downarrow , DC \downarrow	Fixed focal lens or Vari-focal auto iris lens
	LEVEL	0~99	Adjust the brightness
	E.SHUTTER	AUTO	Shutter speed auto adjustable
		1/60(1/50)~1/100,000	Select shutter speed manually
	AGC	OFF, LOW, MIDDLE, HIGH	Determines that use the AGC function or not and AGC level selectable(You can not use the auto D&N change mode when AGC is off)
	SENSE UP	OFF, X2~X256	Using sense up when it is low luminance (OFF, x2~x256 selectable)
	ANTI-GHOST	OFF, ON	When the Sense-up is activated and the camera detects motion, operates LED and changes to B/W mode if this mode is activated. Then user can see vivid images without the afterimage. (You can set this mode when the camera has LED and the D&N mode is set to "Color")
	BLC	OFF, ON \downarrow	BLC function
	LEVEL	0~20	Adjust BLC level
	LWDR	OFF, ON \downarrow , AUTO \downarrow	Select LWDR
	LEVEL	0~60	Adjust WDR level
	OFF \rightarrow ON	0~70	Using the Auto mode, set the WDR ON brightness
	ON \rightarrow OFF	0~100	Using the Auto mode, set the WDR OFF brightness
	DELAY TIME	3~12	Using the Auto mode, set the WDR switching delay time
	DWDR	OFF, LOW, MIDDLE, HIGH	Digital Wide Dynamic Range
	HLC	OFF, ON \downarrow , AUTO \downarrow	High Light Compensation(Using the Auto mode, the HLC is not activated in day light.)
	LEVEL	0~60	According to the threshold value, the camera will recognize as High light or not
	DNR	OFF, ON \downarrow	Reduce noise in low illumination
LEVEL	0~20	Level is selectable	
2. WHITE BALANCE	ATW		Color temperature 2500 ~ 9500°K
	MANUAL \downarrow		Adjust the Red or Blue values
	AWB MODE	AWC \downarrow	Move the camera lens toward to white paper then press the Enter button to find the optimal white balance for current environment
	MANUAL RED	0~255	Adjust the Red value to shift the color of the object
	MANUAL BLUE	0~255	Adjust the Blue value to shift the color of the object
	R-Y GAIN	0~255	Adjust Red tone of the image
	B-Y GAIN	0~255	Adjust Blue tone of the image
	D&N MODE	AUTO \downarrow	Auto day&night switching mode
	COLOR		Fixed at color
	B&W		Fixed at B/W
3. DAY&NIGHT	COLOR \rightarrow BW	65~160	Select brightness of illumination about changing the day \leftrightarrow night mode
	BW \rightarrow COLOR	30~125	
	DELAY TIME	3~12	Select the duration time about changing the day \leftrightarrow night mode
	BURST	OFF, ON	Determines whether to transmit the burst signal or not in B/W mode
	FLIP	OFF, VERT, HORI, BOTH	VERT : Set a vertical image inversion HORI : Set a horizontal image inversion BOTH : set a image rotation
	SHARPNESS	0~49	Sharpness adjustable
4. IMAGE ADJ.	GAMMA	0.45, 0.6, 1, USER	Gamma adjustable
	FREEZE	OFF, ON	Get a still image
	LSC	OFF, ON \downarrow	Determines whether to use the brightness compensation of four lens corners(LSC) or not
	LEVEL	0~50	The LSC level selectable
	DZOOM	OFF, ON \downarrow	Max 10x digital zoom available(Default value is X3)
	ZOOM	X1~X10	Digital zoom adjustable
	PAN	-128~127	Zoomed in image can be moved to horizontal
	TILT	-110~109	Zoomed in image can be moved to vertical
	DIS	OFF, ON	This function can be mitigates image movement from external factors(This function uses digital zoom)
	PATTERN GENERATOR \downarrow		Test signal. Press the enter button, color bar appeared on the screen and press any key to return to menu

5. ALARM	MOTION	OFF, ON \downarrow	Determines whether to use the motion detection function or not
	DISPLAY	NONE	No display on the screen though movement is detected
		MESSAGE	The words 'MOTION' appear on the screen when movement is detected
	SET WINDOW \downarrow		Press the enter button to move into the motion detection area section to set the 240 blocks. To escape this menu, you should press the left button at the far left or press the right button at the far right
	ALL SET \downarrow		Press the enter button to select all area
	ALL CLEAR \downarrow		Press the enter button to remove all area
SENSITIVITY	0~120	Motion detection sensitivity	
HOLD TIME	1~15	Set the duration of alarm out. If the way of display is message, it means display time of message	
6. PRIVACY ZONE	MASK 1~8	OFF, ON \downarrow	Display each privacy mask or not
	SET WINDOW \downarrow		Press the enter button at first time, you can move the mask's position. After press the enter button again, you can adjust the size of mask. If you press the enter button once more, you can adjust position of edge. After decided position of edge then press the enter button, it will be back to previous menu.
	COLOR SET	BLACK, GRAY...	Select mask color(8 color is available)
	LANGUAGE	ENGLISH, ...	Select language
7. SPECIAL	TITLE	OFF, ON \downarrow	Display the camera ID on the screen
	EDIT \downarrow		Camera ID setting
	RESET		Camera ID reset
	POSITION \downarrow		Camera ID position
	DPC	OFF, AUTO \downarrow	Defect pixel correction in low illumination
	WHITE THR	0~255	Setup the limited value of white pixel correction
	BLACK THR	0~255	Setup the limited value of black pixel correction
	DPC LEVEL	0~255	Setup the DPC(Defect Pixel Correction) level
	SYNC	INT	Internal Sync with 12V DC power
		L/L \downarrow	Setting the phase is selectable when used 24V AC(Dual power only)
VPHASE	0~255	Phase controllable at 24V AC input(L/L mode)	
MONITOR	CRT, LCD	Monitor setting	
8. EXIT	FACTORY SET \downarrow		Reset your camera to factory default condition and then restart Notice : Lens, communication and language is not changed
	SAVE AND EXIT \downarrow		Save the value and then restart
	EXIT \downarrow		Escape the menu without save
	RETURN \downarrow		Move back to previous menu

· The ' \downarrow ' icon appeared with desired function, press the set button to move sub menu.
· The '- - -' icon appeared with function that is unavailable according to function setting.