

# Contents

<b>IMPORTANT SAFETY PRECAUTIONS BEFORE SETTING UP .....</b>	<b>1</b>
<b>WHAT YOU GET IN THIS PACKAGE.....</b>	<b>2</b>
<b>GETTING TO KNOW YOUR WIRELESS BABY MONITOR.....</b>	<b>3</b>
CAMERA .....	3
MONITOR.....	5
<b>SETTING UP YOUR WIRELESS BABY MONITOR.....</b>	<b>7</b>
<b>ORIENTING ANTENNAS FOR OPTIMAL PERFORMANCE.....</b>	<b>8</b>
<b>WHAT ELSE CAN THE WIRELESS BABY MONITOR DO FOR YOU?</b>	
<b>.....</b>	<b>9</b>
AUTO-SEQUENCE FUNCTION .....	9
MONITOR TO A/V FUNCTION .....	10
<b>IF YOU HAVE ANY QUESTIONS .....</b>	<b>11</b>
<b>SPECIFICATIONS .....</b>	<b>12</b>

## FCC Statement

This equipment has been tested and found to comply with the limits for a Class B Digital Device, pursuant to Part 15 of the FCC Rules. These limits are designed to provide reasonable protection against harmful interference in a residential installation. This equipment generates, uses and can radiate radio frequency energy and, if not installed and used in accordance with the instruction, may cause harmful interference to radio communication. However, there is no guarantee that interference will not occur in a particular installation. If this equipment does cause harmful interference to radio or television reception, which can be determined by turning the equipment off and on, the user is encouraged to try to correct the interference by one or more of the following measures:

- Reorient or relocate the receiving antenna
- Increase the separation between the equipment and receiver
- Connect the equipment into an outlet on a circuit different from that to which the receiver is connected
- Consult the dealer or an experienced radio/TV technician for help

# Important Safety Precautions Before Setting Up

Congratulation on purchasing RF-Link's 2.4 GHz Wireless Baby Monitor. Before operating your Wireless Baby Monitor, please read all these safety and operating instructions completely and then retain for future reference.

- To prevent entanglement, never place the camera in a crib or playpen.
- Do not place the camera on any surface or mount it on any wall where the camera or its AC adapter cord are within reach of baby.
- Keep the camera and monitor out of reach of children.
- Never use the camera or monitor near water. For example, do not use near a bathtub, washbowl, laundry tub, kitchen sink, in a wet basement. etc.
- Disconnect the AC adapters from wall outlets during long periods of non-use.
- Position the camera, monitor and AC adapters to allow adequate ventilation.
- Keep the camera out of direct sunlight.
- To prevent overheating, keep the camera, monitor and AC adapters away from heat sources such as radiators, heat registers, stoves or other appliances (including amplifiers) which produce heat.
- Use only the AC adapters provided. Use of any others may damage the camera and/or monitor.
- Plug into an electrical outlet with standard household power(120 volt AC outlet).
- Changes or modifications not approved by RF-Link could void user's authority to operate the equipment.
- Do remember that you are using public airwaves when you use the Wireless Baby Monitor and that sound and video may be broadcast to other 2.4 GHz receiving devices. Conversations, even from rooms near the camera, may be broadcast. To protect the privacy of your home, always turn the camera off when not in use.

# What You Get in This Package

The following items should be included in the box. Please check that you have them all before installation.

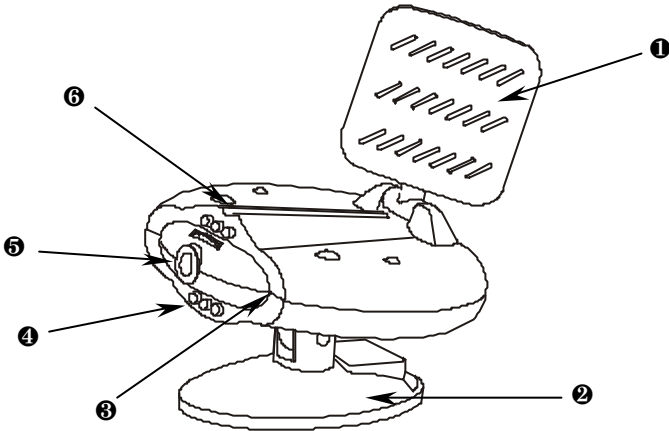
- A camera with built-in transmitter
- A monitor with built-in receiver
- A 12V AC adapter for camera only
- A 15V AC adapter for monitor only

***Warning: Two AC adapters are included with the Wireless Baby Monitor. The AC adapters can not be interchange. Use the adapter labelled OUTPUT: 12V DC with the camera. Use the adapter labelled OUTPUT: 15V DC with the monitor***

# Getting To Know Your Wireless Baby Monitor

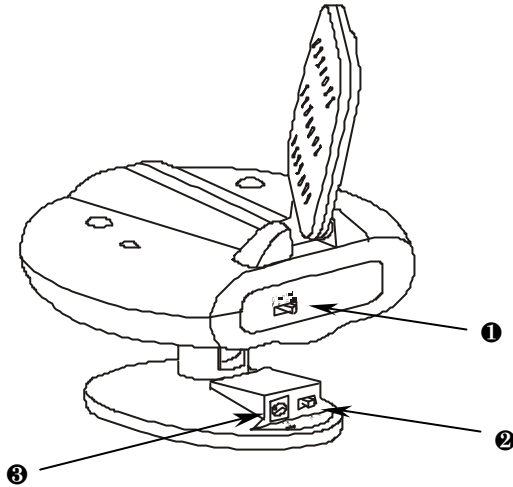
## Camera

### Front View



- ❶ Antenna: [See page 8](#) (Orienting Antennas for Optimal Performance)
- ❷ Moveable base: The camera can be mounted on the wall, or it can be easily placed on a flat surface, such as a table top, dresser or shelf.  
*Note: The bracket does not rotate freely 360 degrees.*
- ❸ Microphone: For clear audio pick-up.
- ❹ Night vision LEDs: The automatic night vision LEDs allow the camera to see your baby even in a completely darkened room!  
*Note: The video image displayed on the monitor may appear “snowy” when the camera is operating in darkness or very low levels of light.*
- ❺ Adjustable camera lens: For focus adjustment
- ❻ LED indicator: Lights up when the camera is “ON”.

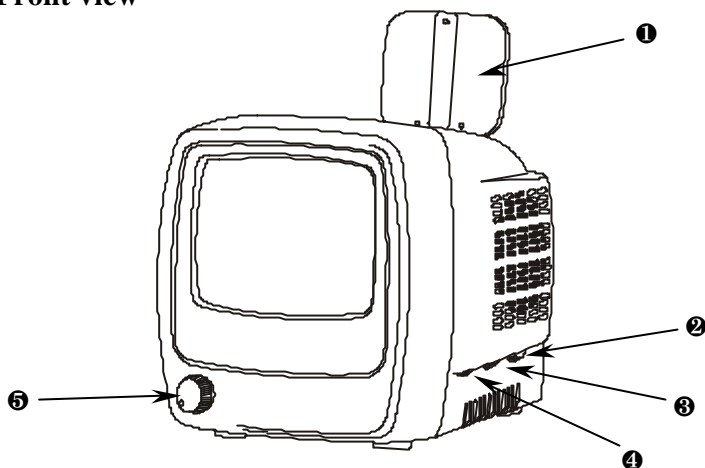
## Rear View



- ❶ CHANNEL 1 2 3 4: Channel selection. It is possible for the monitor to pick up sounds or display interference from other signal producing devices. To minimize the potential for this problem, four channels are available for use. Make sure that the camera and monitor are set to the same channel.
- ❷ ON/OFF switch
- ❸ 12V DC IN

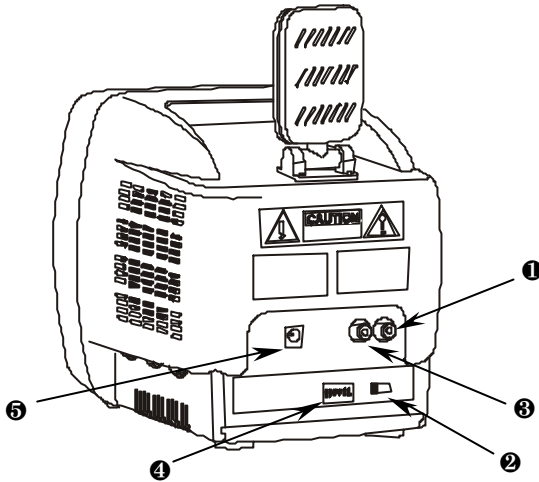
# Monitor

## Front view



- ❶ Antenna: [See page 8](#) (Orienting Antennas for Optimal Performance)
- ❷ V-HOLD
- ❸ CONTRAST
- ❹ BRIGHTNESS
- ❺ Volume/Power control

## Rear View



- ❶ AUDIO OUTPUT: [See page 10](#) (Monitor to A/V function)
- ❷ CH. 1 2 3 4: Channel selection. It is possible for the monitor to pick-up sounds or display interference from other signal producing devices. To minimize this potential problem, four channels are available for use. Make sure that the camera and monitor are set to the same channel.
- ❸ VIDEO OUTPUT: [See page 10](#) (Monitor to A/V function)
- ❹ FUNCTION: Auto-sequence function switch. [See page 9](#) (Auto-sequence function)
- ❺ DC 15V IN

# Setting Up Your Wireless Baby Monitor

If you wish to wall mount the camera, it is recommended that the reception of the Video Monitor be tested before installing to the wall. Have one adult hold the camera against the wall at the selected mounting area while another adult moves the monitor to varieties locations throughout the house to check reception. If interference or other problems develop, please refer to the section of this User's Guide titled "If You Have Any Questions". You may need to select a different location in the room for mounting the camera.

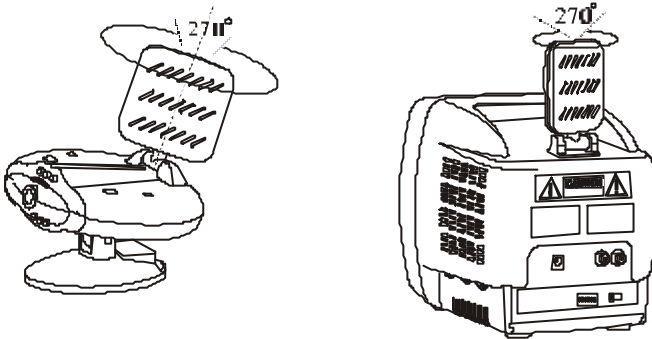
The following steps show you how to set up the Wireless Baby Monitor:

- Make sure the camera and monitor are set to the same channel (1, 2, 3 or 4)
- Plug the jack on the 12V AC adapter cord into the AC adapter socket on the back of the camera
- Plug the AC adapter into a standard wall outlet
- Slide the ON/OFF switch on the side of the camera to the "ON" position. The power indicator should be lit
- Adjust the angle and focus of the camera lens for best view of baby.
- Position the antenna so that it points to the monitor antenna
- Plug the jack on the 15V AC adapter cord into the AC adapter socket on the back of the monitor
- Plug the AC adapter into a standard wall outlet
- Turn the monitor on
- Adjust the volume control to a comfortable level
- Adjust the video image using the V-Hold(vertical hold), Contrast and Brightness adjustment control on the side of the monitor
- Locate and orient the antennas on both the camera and monitor according to the section of this User's Guide titled "Orienting Antennas for Optimal Performance."

# Orienting Antennas for Optimal Performance

The Wireless Baby Monitor broadcasts its high-quality audio and video using directional antennas which must be oriented in a certain configurations for best results. The 2.4 GHz antennas have been designed to pivot and have limited rotation in either clockwise or counterclockwise directions.

***Warning: See instructions shown below for rotating antennas. Rotating antennas beyond the specified range will result in permanent damage to both antennas and the mechanical stop. Antenna does not rotate freely 360 degrees.***



In most situations, the flat pitted face of the antennas on both the camera and monitor should be facing one another. Since all rooms are different, for optimal reception, additional slight pivots or rotations may be necessary. If the camera and monitor are less than 10 feet apart, keep the antennas flat in their casings.

# What else can the Wireless Baby Monitor do for you?

## Auto-sequence function

With the Wireless Baby Monitor, users can monitor a series of rooms for maximum supervision of the home (or office). The Wireless Baby Monitor can use up to four cameras on four different channels, while the monitor can receive signals on up to four different channel and display them in sequence. The Wireless Baby Monitor includes six dip-switches for various operating modes, as described in the following diagram:

	1	2	3	4	4/8	4/B
OFF						
ON						

(Factory-preset mode)

### DIP 4/B: The automatic channels sequence function

ON: Enables the “CH 1 2 3 4” switch and stops the auto-sequence function. When stopping the auto-sequence function, slide all four channel dip switches to the “OFF” position. *Note: If one or more of the four dip-switches remains on, the auto-sequence function will continue on these channels, even though the 4/B dip-switch is in the “OFF” position.*

OFF: Disable the “CH 1 2 3 4” switch and start the auto-sequence function.

### DIP 4/8: Sequence interval timer

ON: Displays at eight second intervals.

OFF: Displays at four second intervals.

### DIP 1 ~ 4 channel switch: setting up the automatic channel sequence function

Slide the channel dip-switch that you wish to view to the “ON” position, or slide the channel dip-switch that you wish to deactivate to the “OFF” position.

## Example:

### *When you want to use the auto-sequence function:*

If you have two cameras and their channels are set on CH 1 and CH 3, and you wish to monitor the two different channels in sequence, you must first slide the “4/B” dip-switch to the “OFF” position, this means the “CH 1 2 3 4” switch is now disabled. Then slide the first and third dip-switches to the “ON” position. (See the following diagram.) If you wish these two channels to be displayed at eight second intervals, slide the “4/8” dip-switch to the “ON” position; or you can leave it in the “OFF” position, and it will be displayed at four second intervals.

	1	2	3	4	4/8	4/B
OFF		■		■	■	■
ON	■		■			

### *When you want to stop the auto-sequence function:*

Slide the “4/B” dip-switch to the “ON” position to activate the “CH 1 2 3 4” switch, and slide all four channel dip-switches to the “OFF” position. Then slide the “CH 1 2 3 4” switch to the same channel as the camera.

## Monitor to A/V function

The Wireless Baby Monitor monitor unit has audio/video outputs which can be used to transfer the picture and sound from the monitor screen to a TV screen. Connect the outputs to the A/V input on a TV set for a large screen display, or connect the outputs to a VCR to record transmissions for later viewing!

## If you have any questions

<b>Symptoms</b>	<b>Check Points</b>
No power is supplied to the camera or monitor.	<ul style="list-style-type: none"><li>■ Is the power cord disconnected?<ul style="list-style-type: none"><li>- Connect it.</li></ul></li><li>■ Camera/Monitor is not turned on<ul style="list-style-type: none"><li>- Slide the ON/OFF switch to the “ON” position.</li></ul></li><li>■ Wrong AC adapter used.<ul style="list-style-type: none"><li>- Use the AC adapter labelled OUTPUT: 12V with the camera, 15V with the monitor.</li></ul></li></ul>
No sound or picture. Noisy sound or picture.	<ul style="list-style-type: none"><li>■ Channel switches are not on the same setting.<ul style="list-style-type: none"><li>- Set the camera and the monitor to same channel.</li></ul></li><li>■ Signal interference due to microwave oven.<ul style="list-style-type: none"><li>- Turn off the oven or remove it from path between camera and monitor.</li></ul></li><li>■ Signal interference due to other signal producing devices.<ul style="list-style-type: none"><li>- Change the channel setting on both the camera and the monitor.</li><li>- Identify and eliminate the source of interference.</li><li>- Relocate the camera and/or monitor.</li></ul></li><li>■ Out of range.<ul style="list-style-type: none"><li>- Relocate the camera and/or monitor.</li></ul></li><li>■ Improper antenna position.<ul style="list-style-type: none"><li>- Adjust camera/monitor antenna orientation.</li></ul></li></ul>

# Specifications

## *Receiver (Monitor)*

<b>Rx Description</b>		
Video System	<i>NTSC</i>	<i>PAL</i>
Receiver Frequency	2.4 GHz ~ 2.4835 GHz	2.4 GHz ~ 2.4835 GHz
Max. Range (clear line of sight)	300 feet	750 feet
Receiver Antenna	Directional	Directional
Receiver Sensitivity	-85 dBm@25	
Max. Audio Output	800 mW	800 mW
Luminance Max	100 cd/m2	100 cd/m2
Number of Channels	4	
Power Supply	DC 15V	DC 15V

## *Transmitter (CMOS Camera)*

<b>Tx Description</b>		
Video System	<i>NTSC</i>	<i>PAL</i>
Transmitter Frequency	2.4 GHz ~ 2.4835 GHz	2.4 GHz ~ 2.4835 GHz
Max. Range (clear line of sight)	300 feet	750 feet
Transmitter Antenna	Directional	Directional
Transmitter Sensitivity	0 dBm FCC	10 dBm CE
Picture of Color	B/W	
Optical Size	1/3"	
Effective Pixels	320 x 240	352 x 288
Resolution (TV line)	240 (h)	
Indoor/Outdoor	indoor only	
Night-time	1 to 2 m	
MIC. Sensitivity	2-3 meters	
Number of Channels	4	
Power Supply	DC 12 V	