

WATERPROOF 3-AXIS IR DOME CAMERA

SK-D400IRD/M843AI

Features

- Waterproof(IP67)
- 3-AXIS Bracket for 3D(Pan/Tilt/Roll) rotation
- Day & Night function(ICR)
- 1/3" COLOR SONY SUPER HAD CCD II
- Supreme Resolution(600TV-Line : Color, 680TV-Line : B/W)
- 25M range visible in total darkness with 24pcs of IR LEDs
- IR LED output level controllable via RS-485
- Extra Video connector for easy installation
- Multi language full OSD support
- Fan(Optional) & Heater for extreme temperature operation
- Option : 12V DC or 24V AC Dual voltage
- RS-485 interface(PELCO-D, PELCO-P protocol support)
- MULTI FUNCTION : Lens Shading Compensation, High Light Mask, Motion Detection, Privacy Zone, Defect Pixel Correction, Impact Detection
- NO IR LED version available(SK-D400/M843AI)

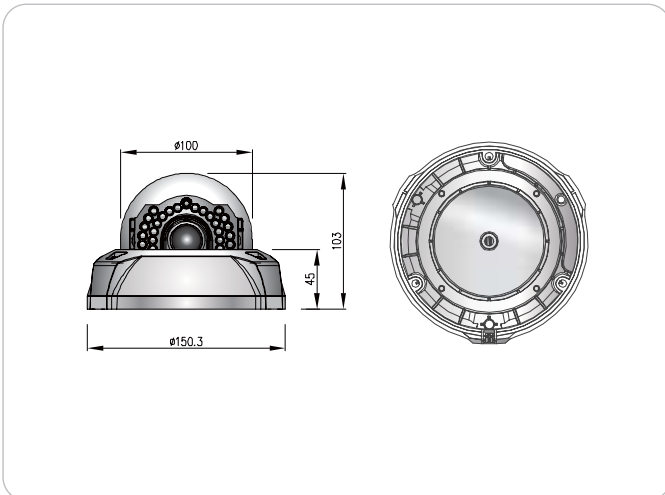
NEW



OUTDOOR IR DOME CAMERA

Dimension

Unit : mm



Specification

Model	SK-D400IRD/M843AI
Image Sensor	1/3" COLOR SONY SUPER HAD CCD II
Pixel	410K
Scanning	2:1 Interlace
Sync. Type	Internal
Resolution	Color : 600TV-Line, B/W : 680TV-Line
Video Output	1.0Vp-p(Sync. Negative) Termination 75Ω
S/N Ratio	48dB or More(AGC OFF)
Min. Illumination	0Lux(25M Range at LED High, Indoor) : LED ON 0.01Lux(F/1.2) : LED OFF
Gamma	$\gamma=0.45$ typ.(0.45, 0.6, 1.0 Adjustable)
Shutter Speed	1/60(1/50) ~ 1/100,000sec
Day & Night	ICR(AUTO/COLOR/BW)
OSD	YES
Motion Detection	ON/OFF(64 Zone)
Impact Detection	ON/OFF
Privacy Zone	ON/OFF(4 Zone)
White Balance	ATW(2,500°K ~ 9,500°K)/MANUAL/AWC
Backlight	BLC/HLC/OFF
AGC	LOW/MIDDLE/HIGH/OFF
Communication	RS-485(Pelco D&P)
Lens	Vari-focal auto iris lens
LED	24pcs(LOW/MIDDLE/HIGH/OFF)
Power Supply	12V DC or 24V AC Dual voltage - Option
Current Consumption	Max. 600mA
Fan, Heater	Option, Yes
Operation Temp.	-10°C ~ 50°C
Preservation Temp.	-20°C ~ 60°C
Dimension	Ø150.3x103(H)mm
Weight	Approx. 500g