

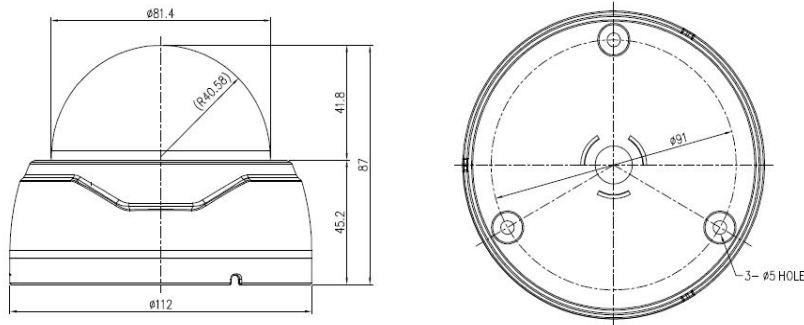
SK-DC80/M864

Features

- ▶ 1/3" Color High Sensitivity CCD
- ▶ 3-AXIS Bracket for 3D(Pan/Tilt/Roll) rotation
- ▶ Supreme Resolution (600 TV-Line)
- ▶ Compact size (Ø80)



Demension



Specifications

MODEL	SK-DC80/M864
Image Sensor	1/3" COLOR HIGH SENSITIVITY CCD
Pixel	401K
Scanning System	2:1 Interlace
Sync. Type	Internal
Resolution	600 TV-Line
S/N Ratio	48 dB or More (AGC off)
Video Output	1.0Vp-p(Sync. Negative) Termination 75Ω
Min. Illumination	0.1Lux(F/1.2)
Gamma	Y=0.45 typ.
White Balance	AUTO
Shutter Speed	1/60 (1/50) ~ 1/100,000sec
AGC	AUTO
LENS	Fixed focal lens
Power Supply	Regulated 12V DC ±10%
Current Consumption	Max. 80mA(12V DC)
Operation Temp.	-10°C ~ 50°C
Preservation Temp.	-20°C ~ 60°C
Dimention	Ø112(W) x 87(H)mm
Weight	Approx. 180g