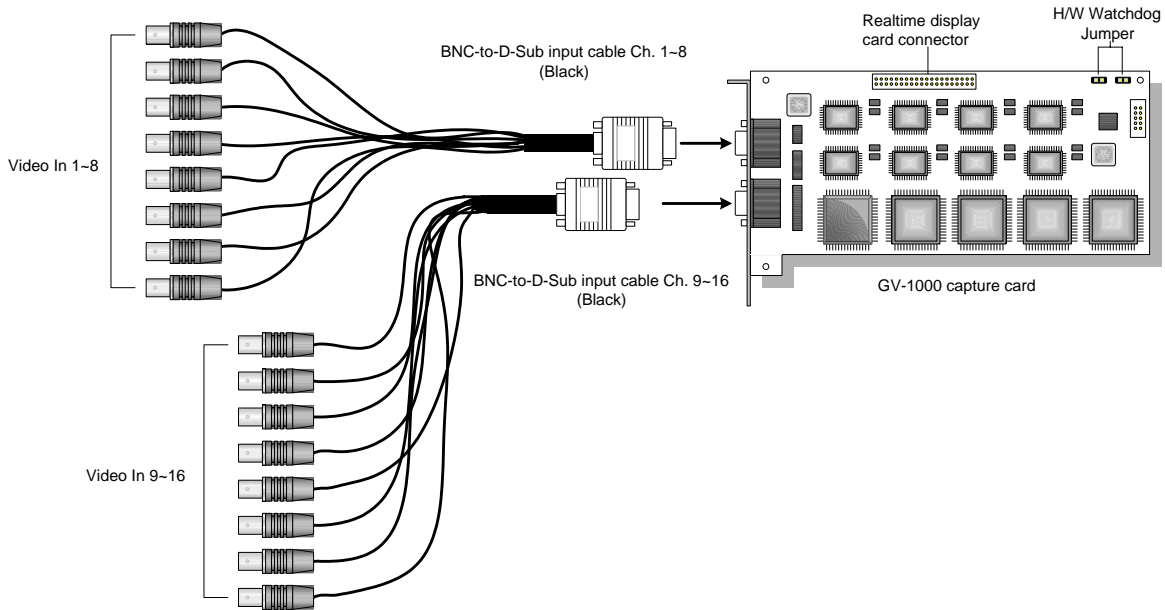


## GV-1000: Video Capture Card

### Installation:



### Specifications

Input Type	15 pins D-Sub connector x 2
Video Inputs	16
Total Recording Rate	480/400 fps (NTSC/PAL) in M-JPEG mode
Video Codec	Wavelet, MPEG4, M-JPEG
Audio Inputs	Optional to 16 channels
Audio Codec	N/A
GV-DSP Support	Optional
Hardware Watchdog	Yes
Dimensions	225mm x 130mm

### Minimum System Requirement

OS	Windows 2000 / XP
DirectX	9.0
CPU	Pentium 4 – 2.8C GHz (800 MHz FSB)
Memory	2 x 256MB dual DDR400 SDRAM
Hard Disk	250 GB
VGA	NVIDIA GeForce II MX200 64MB

### Before you start:

Make sure your software version is upgraded to v5.4.0.0.

### Setup Suggestions:

To get GV-1000 performed at 480/400 fps (NTSC/PAL), following elements must be correctly set up.

1. Video Resolution set to 320 x 240 (System Configure, Video Source, select 320 x 240 from Video Resolution).
2. Recording Quality set to 320 x 240 (System Configure, select the camera tab, in the Rec Control section, press the blue arrow button next to the Recording Quality option. Select 320 x 240 from the list).
3. Rec Video set to M-JPEG (System Configure, camera tab, in the Monitor Control section, press the white camera button next to Rec Video. Select M-JPEG from the list).

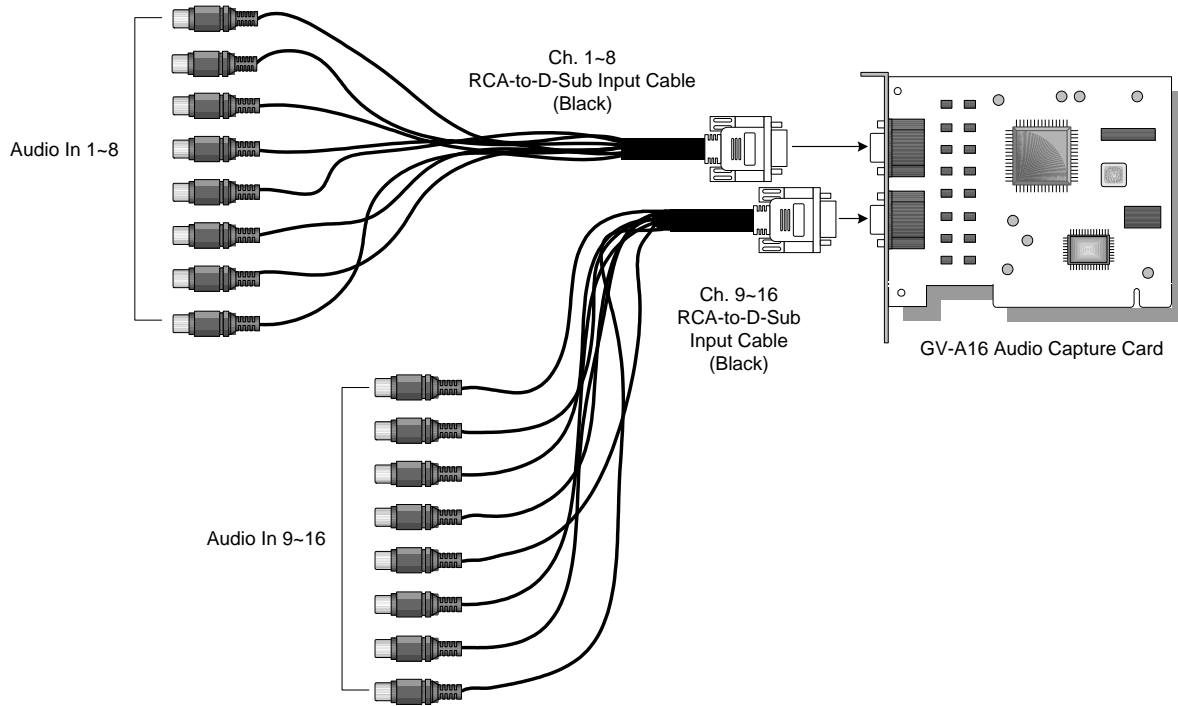
Please note that the setting mentioned above trade off storage space in exchange for higher frame rates. It is best to evaluate motion frequencies at each surveillance area, and set the best combination to achieve most frame rates at lowest possible storage (frame rate is the first priority in these combinations). Here are some suggestions:

Rec Video / Environment	Video Resolution	Recording Quality	Rec Video	Notes
Motion detect / usually not much motion	640 x 480 or 320 x 240	640 x 480 or 320 x 240	wavelet or MPEG4	
Motion detect / usually a lot of motion	640 x 480 or 320 x 240	640 x 480 or 320 x 240	M-JPEG	
Round-the-clock	320 x 240	320 x 240	M-JPEG	

GV-1000 supports 16 channels of audio channels, with the purchase of a GV-A16 card. Please refer to next page for specification of the audio card.

## GV-A16: 16 channels real-time audio recording card

### Installation:



### Specifications

Interface	9 pins D-Sub connector x 2
Number of channels	16
Audio codec	ADPCM 8bit Mono
Compatible Models	GV-1000
Dimensions	120mm x 91mm

**Note:** The GV-A16 only works in conjunction with GeoVision's GV-1000 video capture card.