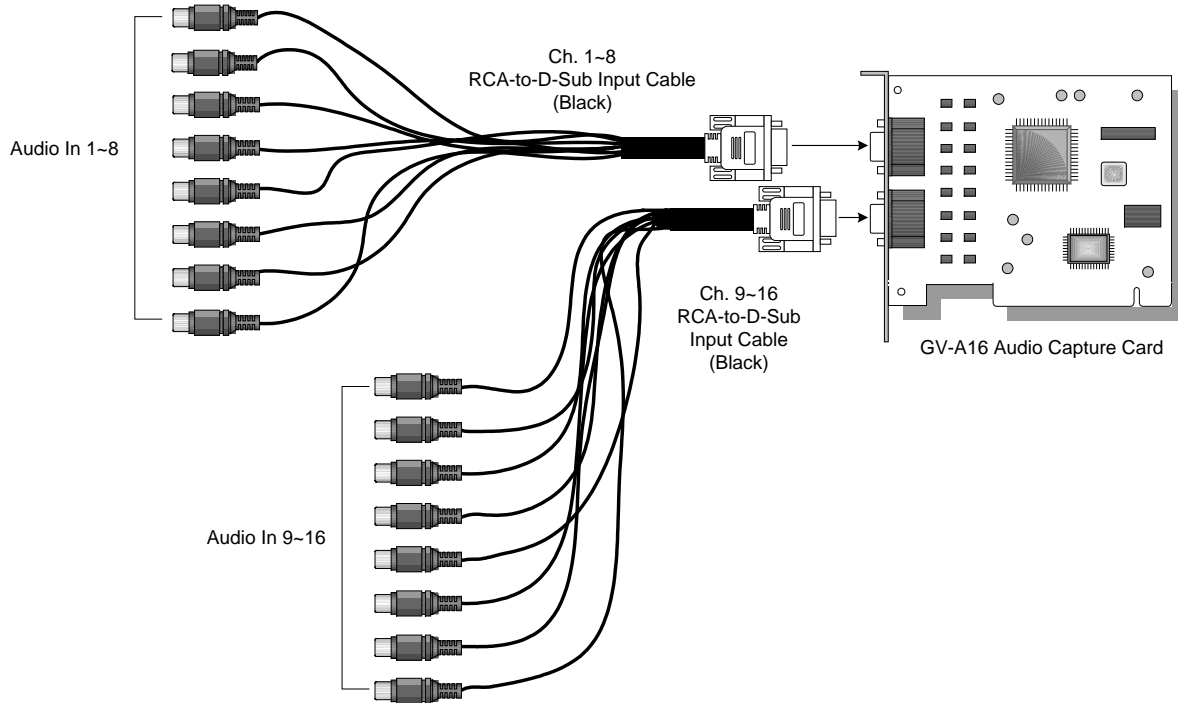


GV-A16: 16-channel audio recording card

Installation:



Specifications

Interface	9 pins D-Sub connector x 2
Number of channels	16
Audio codec	ADPCM 8bit Mono
Compatible Models	GV-1000
Dimensions	120mm x 91mm

Note: The GV-A16 works in conjunction only with GV-1000 video capture card.