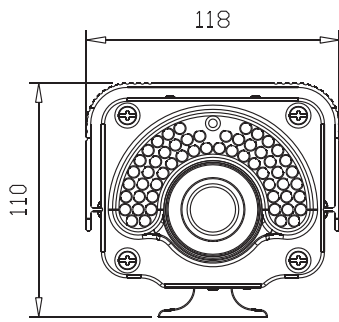
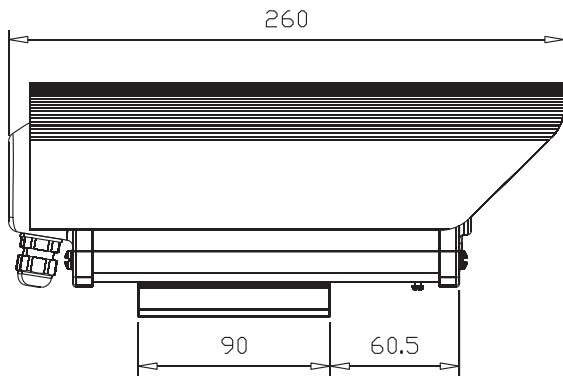


# IR938H



DIMENSION  
UNT : mm



## FEATURE

- ◆ Built-in Sun Visor
- ◆ Double Glass Design
- ◆ Aluminum Body, All Weather Proof
- ◆ IR Cut filter, Accurate Color Performance
- ◆ IR Range : 35 M
- ◆ 1/3 Inch CCD Image Sensor
- ◆ Horizontal Resolution Max. 520 TV Lines
- ◆ 56pcs IR LED

## SPECIFICATION

VIDEO SYSTEM	NTSC	PAL
PICK UP ELEMENT	1/3 inch CCD images Sensor	
IMAGE SIGNAL PROCESS	Digital Signal Processing System	
LENS MOUNT	4mm ~ 9mm (DC-Drive) Auto Iris IR Lens	
NUMBER OF PIXEL	768 (H) × 494 (V)	752 (H) × 582 (V)
PICTURE ELEMENTS	Approximately 380K	Approximately 440K
HORIZONTAL RESOLUTION	Max 520 TV Lines	
POWER SUPPLY	AC 100~240V	
SYNCHRONIZATION	Internal	
SCANNING SYSTEM	2 : 1 Interlace	
SENSITIVITY	0 LUX -IR ON	
S/N RATIO	Max 48 dB	
AUTO GAIN CONTROL	ON	
BACK LIGHT COMPENSATION	OFF	
WHITE BALANCE	AUTO	
OUTPUT	1 Vp-p Composite Video Outpu, 75 Ohms	
IR RANGE	35 M	
WAVELENGTH	850 nm	
OPERATING TEMPERATURE	-5° C ~ +60° C	
DIMENSION (W × D × H)	118 × 110 × 260 mm	