

# ICR DAY & NIGHT WATERPROOF IR CAMERA

## SK-P700IRD/M944AI, SK-P700IRD/M945AI

### Features

- 70M range visible in total darkness with 70pcs of IR LEDs
- IR LED output level controllable
- Waterproof(IP67)
- 3-AXIS Bracket for 3D(Pan/Tilt/Roll) rotation
- Day & Night function(ICR)
- 1/3" COLOR SONY SUPER HAD CCD II : SK-P700IRD/M944AI  
1/3" COLOR SONY WDR CCD : SK-P700IRD/M945AI
- Advanced High Resolution(580TV-Line)
- Extra Video connector for easy installation
- Multi-language full OSD support
- DIS(Digital Image Stabilizer), DNR(3D) Function : SK-P700IRD/M944AI  
WDR, DIS, DNR(3D) Function : SK-P700IRD/M945AI
- Option : 12V DC or 24V AC Dual voltage
- Heater & fan for extreme temperature operation
- RS-485 interface(PELCO-D support)
- Multi Function : Motion Detection, Privacy Mask, Sense up(256X)  
Freeze, Flip(H/V-REV), Dzoom

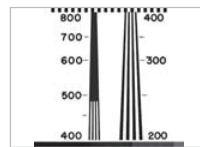


### SK-P700IRD/M945AI

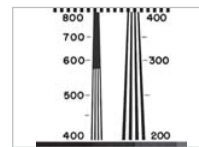


### Advanced high resolution(580TV-Line)

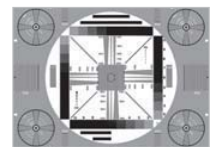
The camera provides advanced high resolution image by full digital image processing.



Conventional camera



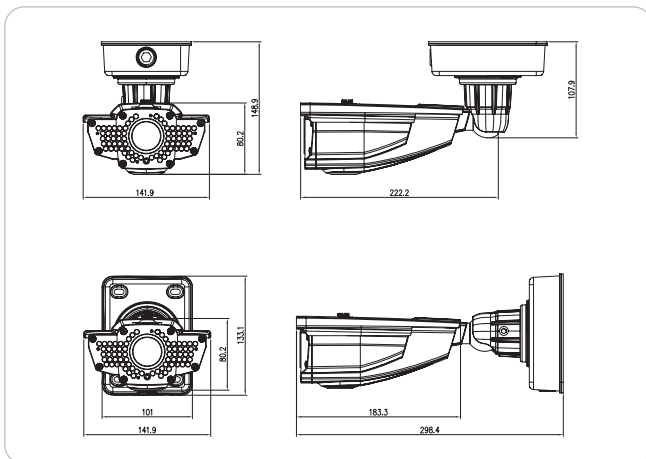
Advanced high resolution camera



EIA Resolution Chart

### Dimension

Unit : mm



### DIS(Digital Image Stabilizer)

It supports digital image stabilization(DIS) to take clean and shake-free images in shaky environment.



DIS OFF



DIS ON

## Specification

Model	SK-P700IRD/M944AI	SK-P700IRD/M945AI
CCD Type	1/3" COLOR SONY SUPER HAD CCD II	1/3" COLOR SONY Vertical Double Density Interline CCD
Pixel	410K	
Scanning	2:1 Interlace	
Sync. Type	Internal/External(Line Lock)	
Resolution	Color : 580TV-Line(Min.), B/W : 700TV-Line(Min.)	
S/N(Y SIGNAL)	52dB or More(AGC OFF)	
Video Output	1.0Vp-p(Sync. Negative) Termination 75Ω	
Min. Illumination	Color : 0.15Lux/F1.2, 0.001Lux(Sense up) B/W : 0.05Lux/F1.2, 0.0004Lux(Sense up) LED ON : 0Lux(70M Range)	Color : 0.3Lux/F1.2, 0.001Lux(Sense up) B/W : 0.09Lux/F1.2, 0.0004Lux(Sense up) LED ON : 0Lux(70M Range)
OSD	YES	
White Balance	ATW/AWC/MANUAL/OUTDOOR(1,800°K ~ 10,500°K)/INDOOR(4,500°K ~ 8,500°K)	
Shutter Speed	1/60(1/50) ~ 1/120,000 sec	
Sense up	AUTO/FIXED/OFF(selectable limit 2X ~ 256X)	
Backlight	BLC/HLC/OFF Selectable	WDR/BLC/HLC/OFF Selectable
AGC	LOW/HIGH/OFF Selectable	
DNR(3D)	OFF/ON(1 ~ 32 Level Adjustable)	
Motion Detection	ON/OFF(8 Zone, Alarm Output)	
Privacy Zone	ON/OFF(8 Zone)	
Mirror(H-REV)	H/V/BOTH	
Freeze	ON/OFF	
Day & Night	ICR(COLOR/BW/AUTO/EXT)	
LED Brightness	Adjustable	
DIS	ON/OFF	
Digital Zoom	ON(10X)/OFF Selectable	
Blemish Compensation	256 point(Even 128 point, Odd 128 point)	
Communication	RS-485(Protocol : Pelco-D)	
Lens	Vari-focal auto iris lens	
Power Supply	12V DC or 24V AC Dual voltage - option	
Current Consumption	Max. 950mA at(12V DC, 24V AC)	
Fan, Heater	YES	
Operation Temp.	-10°C ~ 50°C	
Preservation Temp.	-20°C ~ 60°C	
Dimension	141.9(W)x80.2(H)x183.3(D)	
Weight	Approx. 1.7Kg	