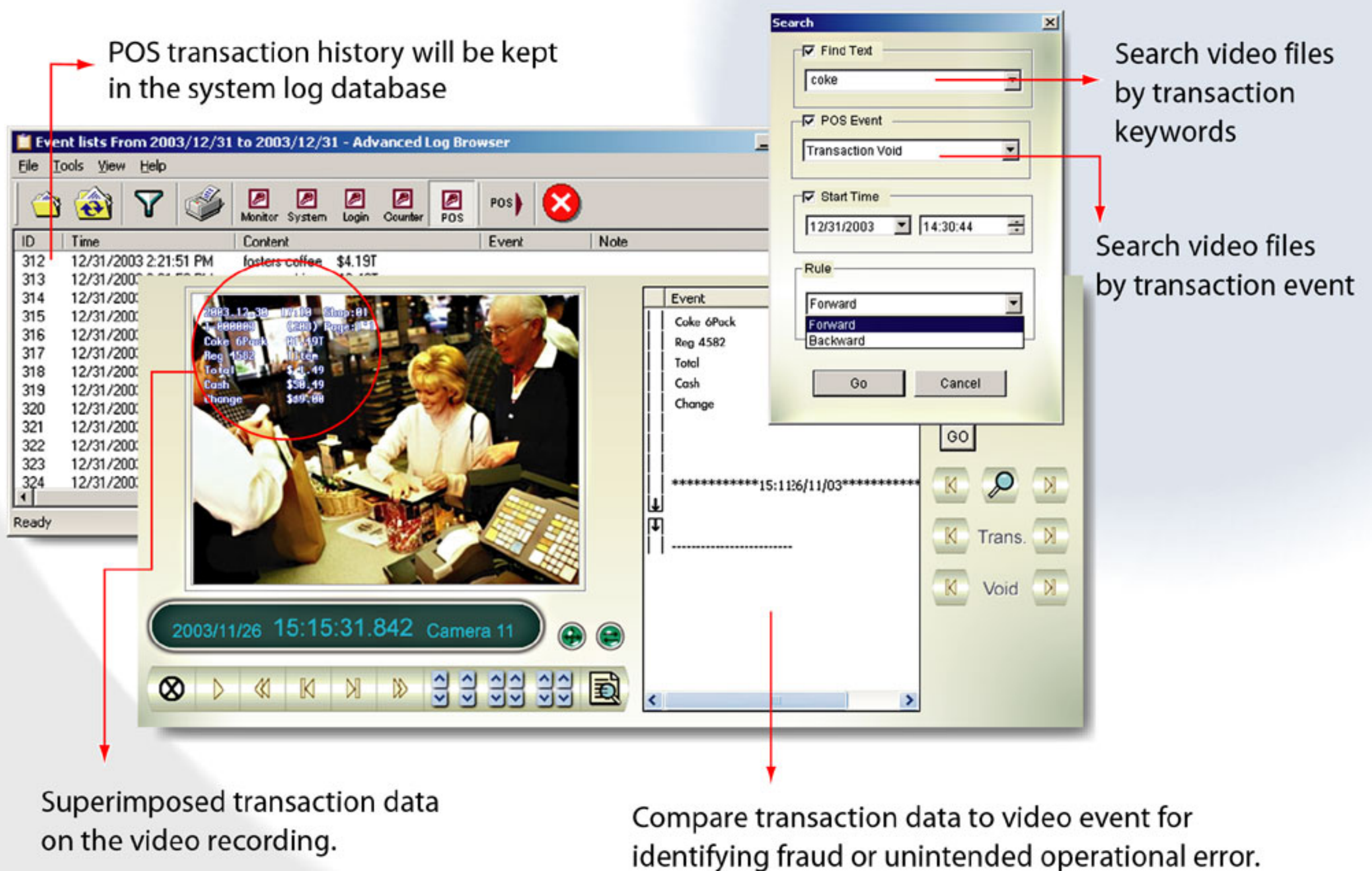


GV-Data capture is a device that links a GeoVision Digital Surveillance System, a PC-based DVR system, to electronic POS systems. It is designed to communicate with 4 POS systems, and to be installed between a GV system and a POS system, through PC Com ports.

Features

- Integration with major POS systems
- Support up to 4 cameras and 4 registers
- Transaction data is stored in a database file (Microsoft Access format) on the DVR system, accessible for retroactive analysis or reports
- Remote monitoring through internet
- View live or playback the video with text overlays the register scene
- Adjustable on-screen text alignment
- Fast search by transaction data (eg. abnormal events, sales data etc.)



POS transaction history will be kept in the system log database

Search video files by transaction keywords

Search video files by transaction event

Superimposed transaction data on the video recording.

Compare transaction data to video event for identifying fraud or unintended operational error.

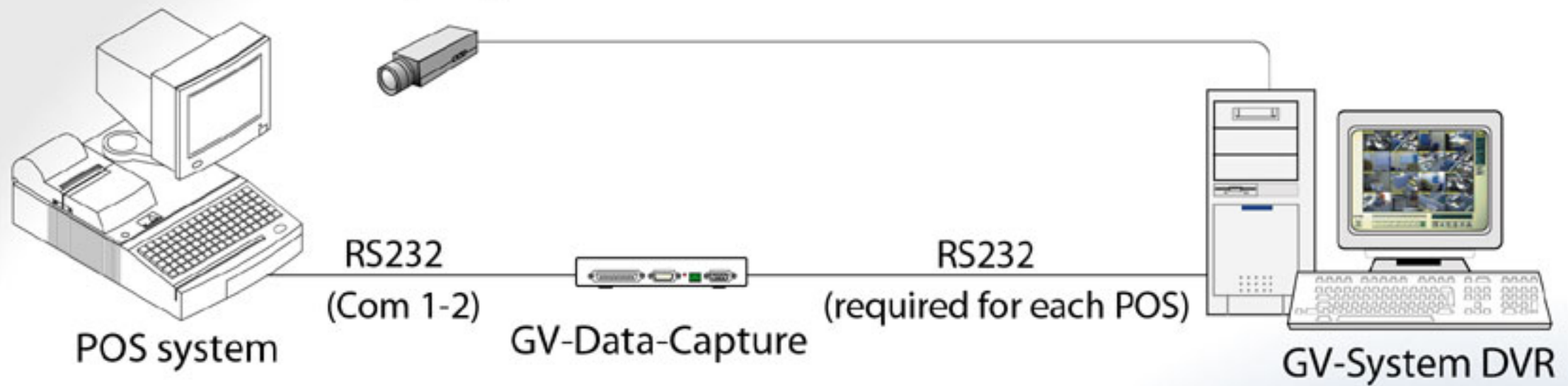
Frequently Asked Questions

What are the compatible POS systems?

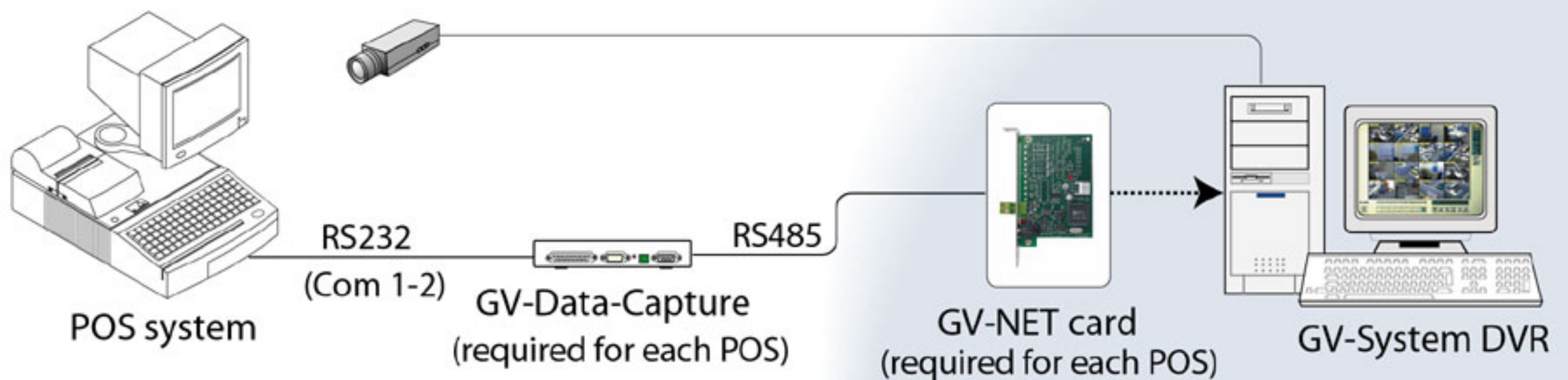
A POS system is usually connected to a printer that prints out customer receipts, and the GV-Data Capture "taps" the transaction data through printer port. Currently, GV-Data Capture supports any POS systems that send out data in plain ASCII Text format to printers. So ask your supplier format of their transaction data being sent out to printer ports.

How do I attach the GV system to the POS device?

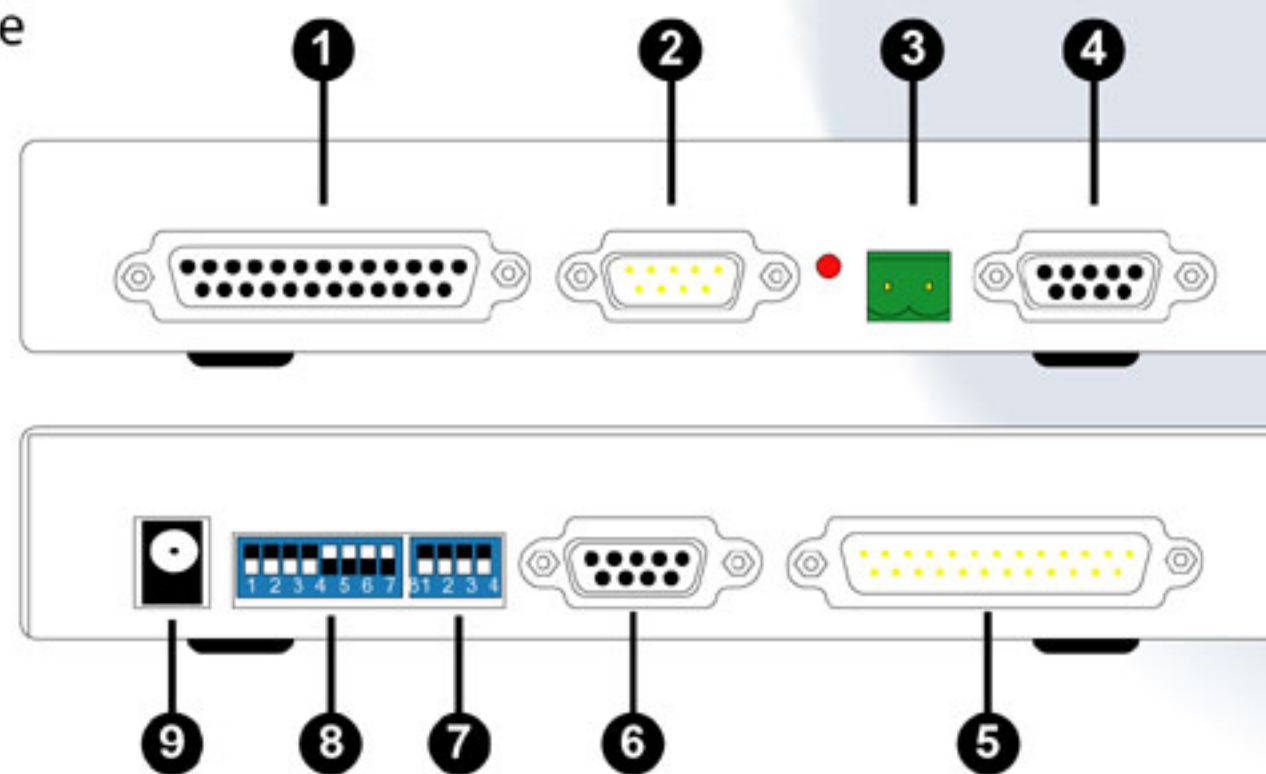
- When the physical distance between your POS system and the GV system is less than 15 meters (49 ft):



- When the physical distance between your POS system and the GV system is greater than 15 meters (49 ft):



- GV-Data Capture

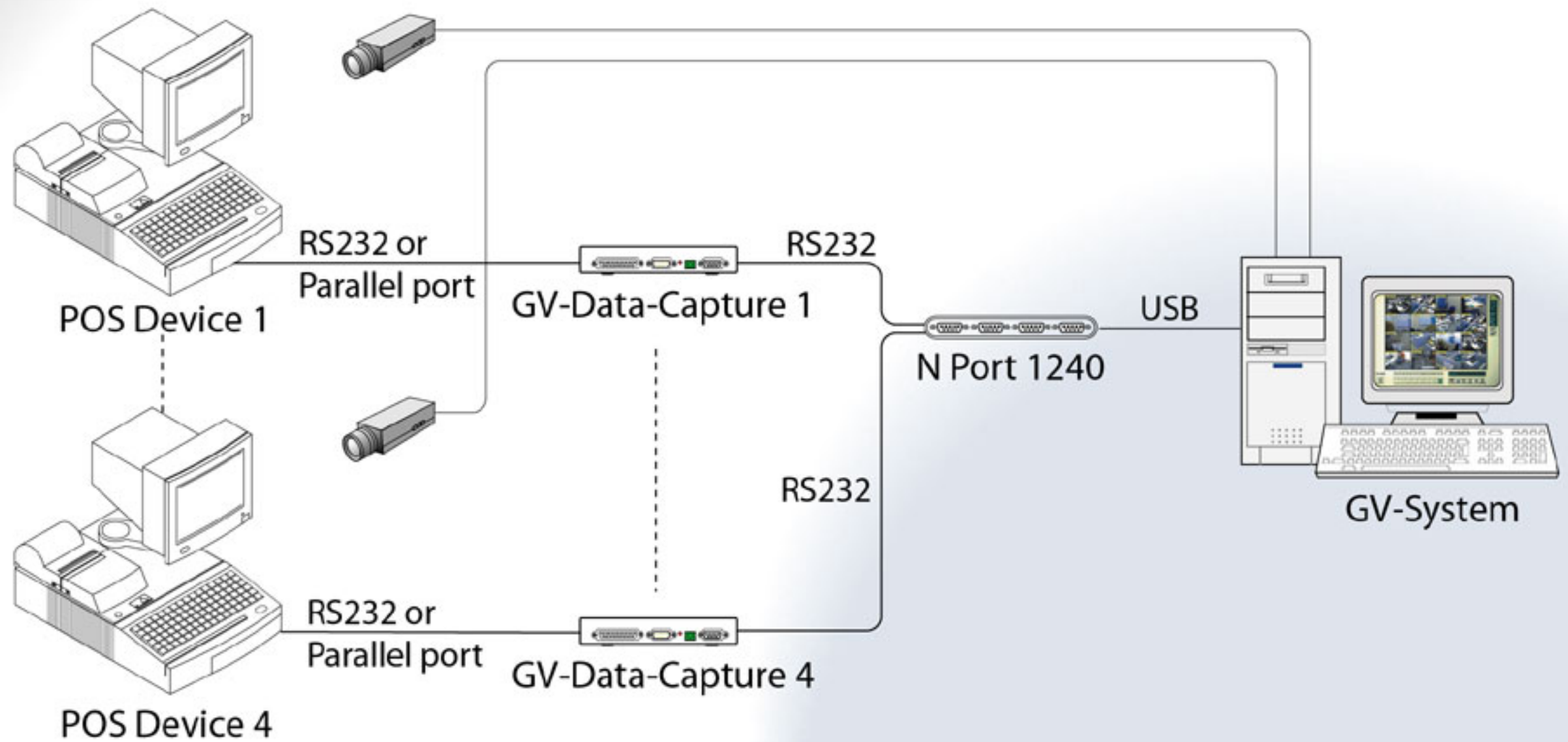


1	25 pins parallel connector	Connects to printer
2	9 pins D-Sub Male connector	Connects to printer
3	2 pins RS-485 connector	Connects to GV-NET
4	9 pins D-Sub RS-232 connector	Connects to GV-System Com port
5	25 pins parallel connector	Connects to POS Device
6	9 pins D-Sub female connector	Connects to POS Device
7	4 position DIP Switch for Baud rate setting.	<p>1200 bps 2400 bps 4800 bps 9600 bps 19200 bps 38400 bps 57600 bps 115200 bps</p>
8	8 position DIP Switch for device setting.	<p>Parallel Port Serial Port</p>
9	5V DC -IN	

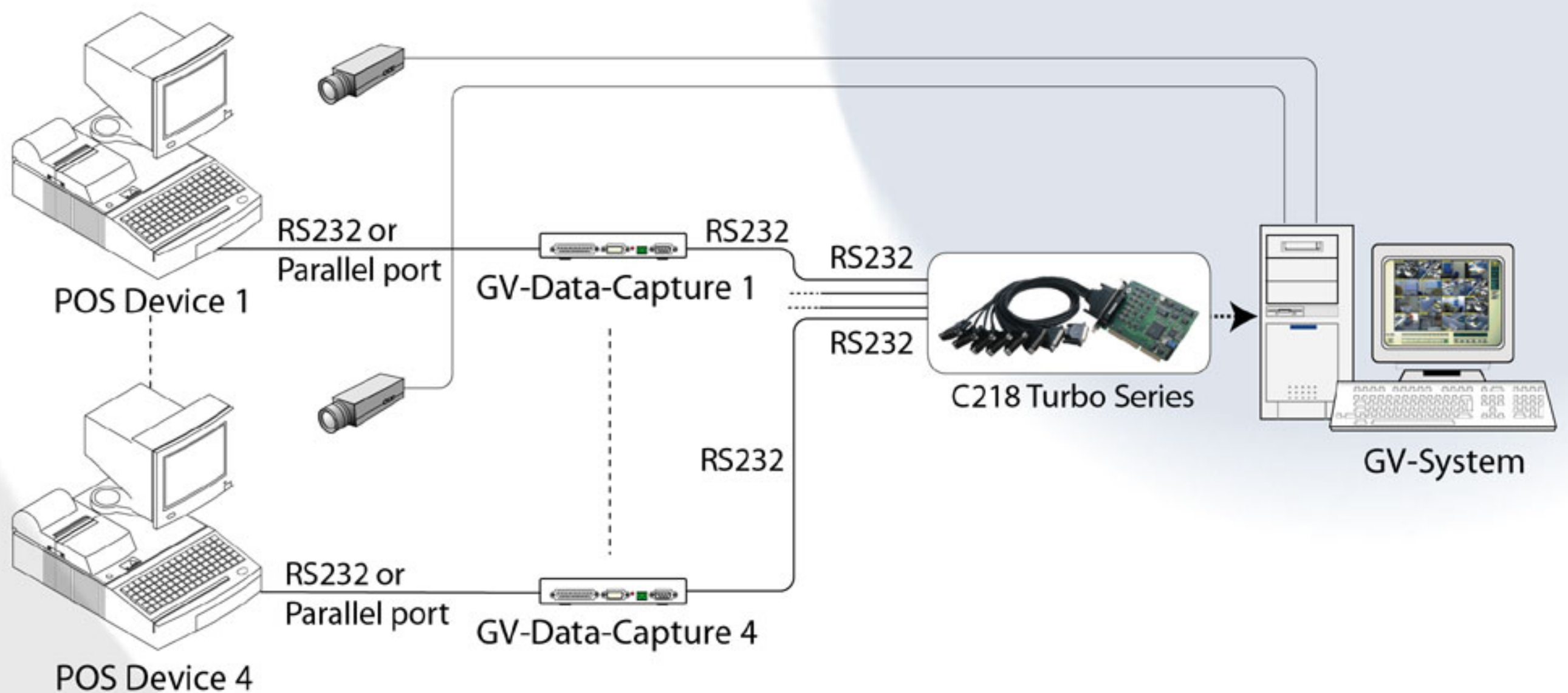
One PC only has two Com ports, how do I connect 4 POS system to my GV system?

You may extend your Com ports by adding Com ports extensions to your PC. Following Com port extensions from Moxa (www.moxa.com) are recommended:

- **N Port 1240** (4-port RS-232 USB-to-Serial HUB)



- **C218 Turbo Series** (8-port RS-232 PCI board)



- **Industio CP-114 Series** (2-port RS-232 and 2-port RS-422/485 PCI Card)
- **C320 Turbo Multiport** (16-port RS-232 Multiport Controller)

Please link to the website below for detail information.
http://www.moxa.com/product/Multiport_Serial_Boards/index.htm



12F, No.316, Sec.1, Neihu Rd., Taipei, Taiwan, 114, R.O.C.
Tel: +886-2-8797-8377 Fax: +886-2-8797-8335
www.geovision.com.tw