



SF1301W



SF1301

Easy Installation & Exceptional Clarity

AVerMedia

AVerDiGi SF1301W/SF1301 High Performance Megapixel Wireless/Wired IP Camera

Key Features

- 1.3 Megapixel resolution delivers crisp and clear images (Up to 1280x1024 resolution)
- UP to 30 fps in VGA (640x480) resolution and 10 fps in SXGA (1280x1024) resolution
- Supports 4 video streams simultaneously with combinations of MJPEG and MPEG4 video formats
- Built-in Omni-directional Microphone
- Universal plug and play
- Using in low light condition - Minimum illumination 0.5 Lux
- Image quality control: Auto White Balance (AWB), Auto Exposure (AE), Auto Gain Control (AGC), Contrast, Saturation and Brightness
- Compatible with AVerDiGi SA/NV/NX/NXU/XR/EH/EXR Series



Bundled with exclusive AVerDiGi Web Browser

SF1301W/SF1301 High Performance Megapixel Wireless/Wired IP Camera

Specifications

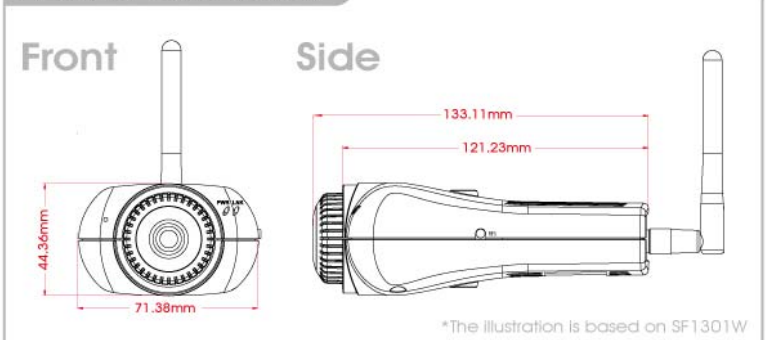
| | SF1301W (wireless) | SF1301 (wired) |
|------------------------------|---|----------------|
| Model | | |
| Device | 1/4 inch CMOS | |
| Effective Pixels | 1280 x 1024 | |
| Min. scene Illumination | 0.5 Lux | |
| F/No | F2.8 | |
| Focus Length | f4.5mm | |
| Depth | 20cm~Infinity | |
| Viewing Angle | Horizontal:43.6°, Vertical:35.7°, Diagonal:54° | |
| Motion Detection | Enable/disable; Sensitivity 0~100; Drawing mode - Enable/Disable | |
| Exposure Control | Auto | |
| AGC | Yes | |
| White Balance | Auto | |
| Compression | MPEG4/MJPEG dual format compression simultaneously | |
| Multi-profile | Support 4 video streams simultaneously | |
| Picture Resolution | 1280 x 1024; 1024 x 768; 640 x 480; 512 x 384; 320 x 240; 160 x 120 | |
| Bit Rate | IE browser - 900K, 1M, 1.25M, 1.5M, 1.75M, 2M Mobile Video - 64K, 128K, 192K, 256K, 320K, 384K, 448K, 512K | |
| Image Frame Rate | 10 fps at 1280x1024; 30 fps at 640x480 | |
| Black/White mode | Yes | |
| Digital Zoom | 16X | |
| Mirror | Vertical mirror/Horizontal mirror | |
| Compression | AMR/ADPCM | |
| Built-in Microphone | Sensitivity -42dB +/- 3dB (5 Meters distance min.) S/N Ratio:more than 58 dB; Directivity Omni-directional | |
| Frequency Response | 50~16000HZ | |
| Audio Line Output | Output Line-out For external speaker | |
| Pre-recording/Post-recording | 0~15 seconds/0~15 seconds | |
| Overwrite | Enable/disable | |
| Recording mode | Continuous/Event/Motion Detection | |
| System Log | Up to 500 items stored in flash | |
| Ethernet | Ethernet (10/100 Mbps Fast) , RJ-45 connector | |
| Protocol | IPV4, ARP, TCP, UDP, ICMP, DHCP, NTP, DNS, DDNS, SMTP, FTP, HTTP, Samba, PPPoE, UPnP, RTP, RTCP, RTSP | |
| Auto-MDIX | Yes | |
| 3GPP | Audio codec/AMRVideo codec/MPEG4Protocol/RTSP, RTP | |
| WPS | Yes | No |
| Web Browser | IE 7.0/FireFox 2.0.7/Safari 3.2.2 or above | |
| User account | Up to 20 users | |
| Security | Password protection:configured by the administrator | |
| Temperature and humidity | -15~60°C (Storage), 90% humidity/0~40°C(Operating), 85% humidity | |
| Power Consumption | 6W (DC 5V) | |
| Dimensions (W x H x D) | 135mm x 169mm x 34mm | |
| Weight | 158 g (w/o bracket) | |
| Indoor/Outdoor | Indoor | |
| Bundled accessory | Bracket | |

* Specifications subject to change without prior notice

Product Illustration



Product Dimension



Compatible AVerDiGi DVR/NVR

SA Series
 NV Series
 NX Series
 NXU Series
 XR Series
 EH Series
 EXR Series



All right reserved. No part of this document may be reproduced, stored in a retrieval system, or transmitted in any form or by any means (Electronic, mechanical, photocopy, recording, or otherwise) without the written permission of AVerMedia INFORMATION, Inc. Information in this document is subject to change without notice. The information contained herein, is to be considered for informational purposes only and shall not be considered legally binding. 2008 by AVerMedia INFORMATION, Inc. All rights reserved. No part of this publication may be reproduced, transmitted, transcribed, stored in a retrieval system, or translated into any language in any form by any means without the written permission of AVerMedia INFORMATION, Inc. AVerMedia is registered trademarks of AVerMedia INFORMATION, Inc. All other trademarks belong to their respective companies. Made in Taiwan. 20090306

AVerMedia®

www.avermedia.com
www.averdigi.com