

3-AXIS VANDAL-PROOF IR DOME CAMERA

SK-V251IRD/M844AI, SK-V251IRD/M845AI

Features

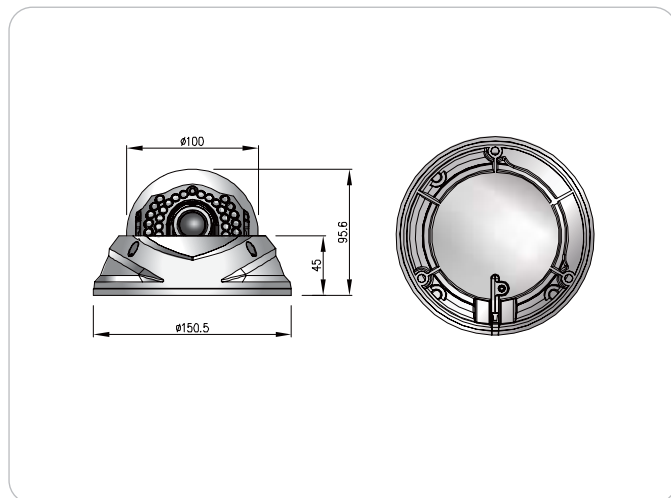
- 25M range visible in total darkness with 24pcs of IR LEDs
- Supreme Resolution (600TV-Line : Color, 700TV-Line : B/W)
- 1/3" COLOR SONY Super HAD CCD II : SK-V251IRD/M844AI
1/3" COLOR SONY WDR CCD : SK-V251IRD/M845AI
- Huviron GenII DSP
- IR LED output level controllable via RS-485 (PELCO-D, PELCO-P)
- Vandal-proof & Waterproof(IP67)
- 3-Axis Bracket for 3D(Pan/Tilt/Roll) rotation
- LWDR or Super WDR, DIS(Digital Image Stabilizer), 3D-DNR, Sense up(256X)
- Day & Night function(ICR)
- Using IR Lens to prevent defocusing. (F1.2)
- Multi-language Full OSD support
- MULTI FUNCTION : Lens Shading Compensation, High Light Mask, Motion Detection, Impact Detection, Privacy Mask, Defect Pixel Correction, Freeze, Flip(H/V/Both), Digital Zoom
- Fan(Optional) & Heater for extreme temperature operation
- Option : 12V DC or 24V AC Dual voltage



GEN II
CAMERA

Dimension

Unit : mm



Specification

Model	SK-V251IRD/M844AI	SK-V251IRD/M845AI
Image Sensor	1/3" COLOR SONY SUPER HAD CCD II	1/3" COLOR SONY Vertical Double Density Interline CCD
Pixel	410K	
Scanning System	2:1 Interlace	
Sync. Type	Internal / External(Line-Lock) - Option	
Resolution	600 TV-LINE(COLOR), 700 TV-LINE(B/W)	
S/N	52dB or More(AGC OFF)	
Video Output	1.0 Vp-p(Sync. Negative) Termination 75Ω	
Min. Illumination	0.01 Lux(F1.2), 0.0003Lux(Sense up)	0.05 Lux(F1.2), 0.0003Lux(Sense up)
	0 Lux (25M Range at LED HIGH) : Indoor	
Gamma	$\gamma=0.45$ typ.(0.45, 0.6, 1.0, user)	
OSD	Yes(Multi Language)	
White Balance	ATW(2,500°K~9,500°K)/MANUAL/AWC	
Shutter Speed	1/60(1/50)~1/100,000sec	
Sense up	Auto(Selectable limit 2X~256X)/Fixed/Off	
Backlight	BLC/LWDR/HLC/OFF	BLC/WDR/HLC/OFF
AGC	LOW/MIDDLE/HIGH/OFF	
DNR(3D)	LOW/MIDDLE/HIGH/OFF	
Motion Detection	ON/OFF (240 Block)	
Privacy Zone	ON/OFF (8 Zone)	
Mirror	H/V/BOTH	
Freeze	ON/OFF	
Day & Night	ICR(AUTO, COLOR, B/W)	
LED Brightness	24 pcs(LOW, MIDDLE, HIGH, OFF)	
DIS	ON/OFF	
Digital Zoom	ON(10X)/OFF	
Blemish Compensation	AUTO/OFF	
Impact Detection	LOW/MIDDLE/HIGH/OFF	
Communication	RS-485(Protocol : Pelco D, Pelco P)	
Lens	Vari-focal auto iris lens	
Power Supply	12V DC or 24V AC(Dual Voltage) - Option	
Current Consumption	MAX. 800mA(at 12V DC, 24V AC) : LED ON	
Fan, Heater	Option, Yes	
Operation Temp.	-10°C ~ 50 °C	
Preservation Temp.	-20°C ~ 60 °C	
Dimension	Ø150.5 X 95.6(H) mm	
Weight	Approx. 800g	