

GV-NET / IO Card (230V)

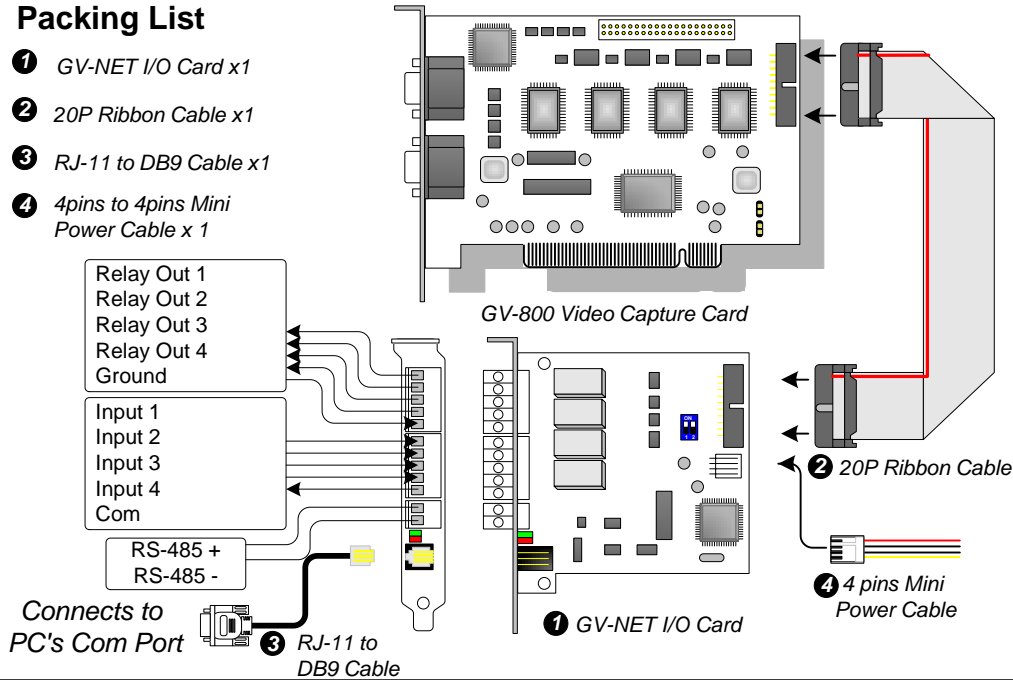
The GV-NET/IO Card is a RS-485 / RS-232 interface converter with 4 points inputs and 4 points relay outputs.

Installation

Insert the GV-NET/IO card to an empty card slot. Connect the 20P ribbon cable to the video capture card as shown below. Connect one of the PC power supply's 4 pins-mini cable to the GV-NET/IO card's power input connector.

Packing List

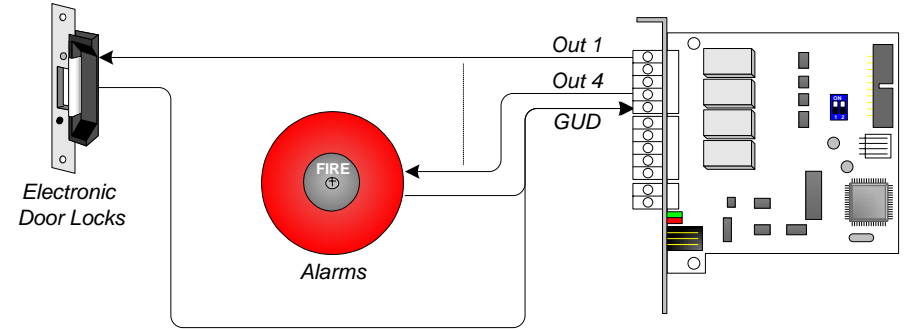
- 1 GV-NET I/O Card x1
- 2 20P Ribbon Cable x1
- 3 RJ-11 to DB9 Cable x1
- 4 4pins to 4pins Mini Power Cable x 1



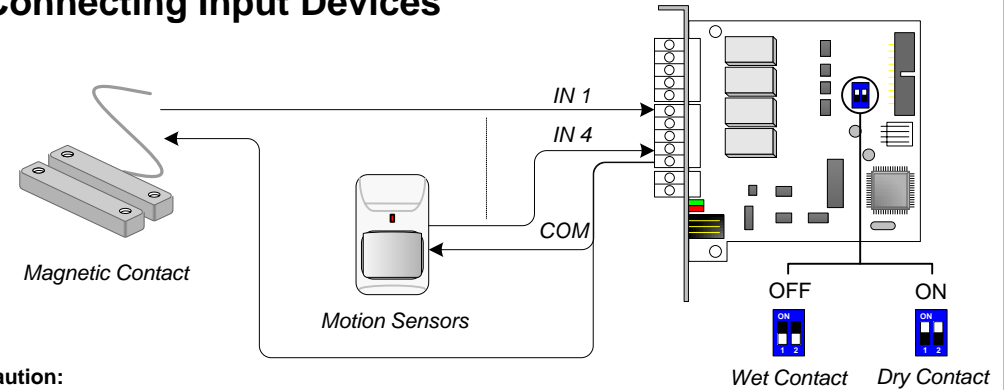
Specification

Input	Input	4
	Input Signal	5~12V DC (floating) / TTL
	High State	12V
	Low State	5V
Output	Relay Output	4
	Relay Status	Normal Open
	Relay Capacitance	1A / 30V DC; 0.3A / 230V AC
	Relay On/ Off Time	4ms / 4ms
	Communication	RS-485 1,200~19,200 bps
DC IN	DC 5V, 1A	
Environmental Condition	0 to 50 degree C , 5%~95% (non-condensing)	
Compatible Models	GV-600 V3, GV-650 V3, GV-800 V3, GV-900 V1.11	

Connecting Output Devices



Connecting Input Devices



Caution:

1. Use the switch for dry contact and 5~12V wet contact.
2. GV-NET/IO card accepts either all dry contact or all wet contact devices. Don't mix two different contact devices to the same card.

Connecting RS-485 Devices (PTZ Dome / GV-IO)

