

## IR SPEED DOME CAMERA

# SK-V207IR/Z946

NEW



### Features

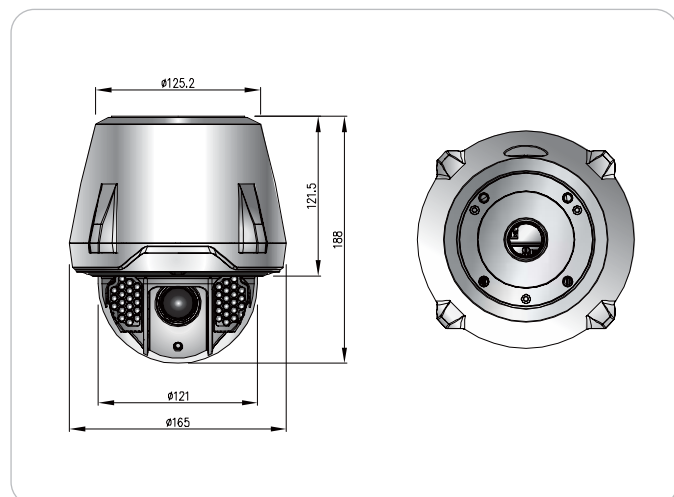
- 192X zoom(Optical 12X, Digital 16X)
- Long visible range at night(30m range indoor) with IR LED 40EA
- Pan : 360°(Endless) , Tilt : -5°~185°(Mechanical Auto Flip)
- Max 250°/sec pan preset speed
- 128 Preset positions
- Day & Night function(ICR)
- 3D DNR(Digital noise reduction), SSSDR(Super Dynamic Range)
- Sense up(X512)
- Warming up & Cooling
- Scheduling of presets and patterns by internal scheduling clock(up to 8)
- On-screen time display
- 4 Alarm input & 2 Alarm output
- Privacy zone masking(up to 8)
- Pan position auto compensation
- Weather-proof



HIGH SPEED DOME CAMERA

### Dimension

Unit : mm



### Specification

Model	SK-V207IR/Z946
Image sensor	1/4" COLOR SONY SUPER HAD CCD II
Pixel	410K
Zoom	Optical 12X, Digital 16X
Focal length	f=3.94 ~ 46.05mm(F1.67~F1.88)
Resolution	560TV-Line(Color), 680TV-Line(B/W)
Min. Illumination	0.0001Lux(W/Sense up) 0 Lux(30m range) - LED ON
Video output	1.0Vp-p(Sync. Negative), Termination 75Ω
Sync. Type	Internal / External(Line-lock) - Option
DAY&NIGHT	ICR(AUTO/COLOR/BW)
LED	IR LED 40 PCS
SENSE UP	Off / On(X2 ~ X512)
Backlight	Off / BLC / HLC / SSSDR
Privacy Zone	8 zones
Pan/Tilt Angle	Pan : 360°(Endless), Tilt : -5°~185°(Mechanical Auto Flip)
Pan/Tilt Speed	Preset : MAX. 250°/sec, Manual : 0.05~120°/sec
PRESET	128 points
PATTERN	4 patterns(210sec ~ 2 hours : depends on complexity)
TOUR	8 tours
AUTO SCAN	CW/CCW/Custom mode
Position Compensation	Pan position auto compensation
Schedule	8 Schedule
Clock	Set, Off/On
Alarm Input	4 Port
Alarm Output	Open Collector(5VDC, 40mA) / Relay(2A 30VDC, 0.5A 125VAC)
Address(ID)	255
Remote Control	RS-485
PROTOCOL	AUTO, SK-P, PELCO-D
BAUDRATE	2,400bps, 4,800bps, 9,600bps, 19,200bps
FAN	YES
Power	24V AC/ 18W 1.5A or 12V DC 2A
Operation Temp.	-20 °C ~ 60 °C
Preservation Temp	-20 °C ~ 60 °C
Dimension	Φ165mm X 188(H)mm
Weight	Approx. 2.5 Kg
Bracket(Optional)	SK-AB20(wall mount), SK-AB21(ceiling mount)