

IPC-T259H 5 MP ColorVu Lite Fixed Turret Network Camera

ColorVu Lite



- High quality imaging with 5 MP resolution
- Excellent low-light performance
- Efficient H.265+ compression technology
- Water and dust resistant (IP67)
- 24/7 colorful imaging

ColorVu Lite

ColorVu Lite series are the economic products with ColorVu technology. Hikvision ColorVu technology provides 24/7 vivid colorful images with F1.0 advanced lenses, high performance sensors and friendly lighting. F1.0 super-aperture collects more light to produce brighter images. Advanced sensor technology can vastly improve the utilization of available light. In zero-light scenarios, built-in, warm supplemental lighting works to guarantee colorful images.

▪ Specification

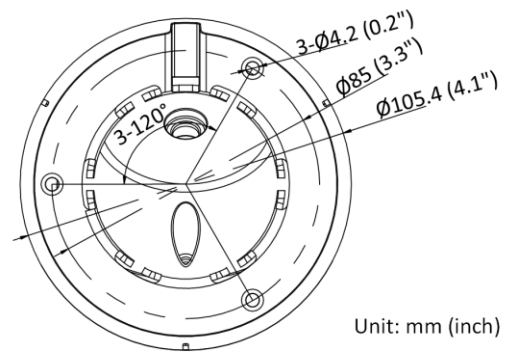
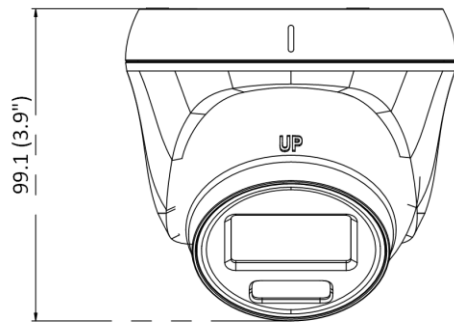
Camera	
Image Sensor	1/2.7" Progressive Scan CMOS
Min. Illumination	Color: 0.001 Lux @ (F1.0, AGC ON)
Shutter Speed	1/3 s to 1/100,000 s
Slow Shutter	Yes
Angle Adjustment	Pan: 0° to 360°, tilt: 0° to 75°, rotate: 0° to 360°
P/N	P/N
Wide Dynamic Range	120 dB
Lens	
Lens Type & FOV	2.8 mm, horizontal FOV 102°, vertical FOV 54°, diagonal FOV 121° 4 mm, horizontal FOV 80°, vertical FOV 43°, diagonal FOV 95°
Aperture	F1.0
Lens Mount	M12
Aperture Type	Fixed
Depth of Focus	2.8 mm: 3.1 m to ∞ 4 mm: 3.6 m to ∞
Illuminator	
Smart Supplement Light	Yes
Supplement Light	White
White Light Range	Up to 30 m
Video	
Main Stream	50Hz: 12.5fps (2560 × 1920), 20fps (2560 × 1440), 25fps (2304 × 1296, 1920 × 1280, 1280 × 720) 60Hz: 15fps (2560 × 1920), 20fps (2560 × 1440), 30fps (2304 × 1296, 1920 × 1280, 1280 × 720)
Sub Stream	50Hz: 25 fps (640 × 480, 640 × 360, 320 × 240) 60Hz: 30 fps (640 × 480, 640 × 360, 320 × 240) * Note: The frame rate of the sub-stream cannot exceed the maximum frame rate of the current main stream.
Video Compression	Main stream: H.265+/H.265/H.264+/H.264 Sub-stream: H.265/H.264/MJPEG
Video Bit Rate	32 Kbps to 8 Mbps
H.264 Type	Baseline Profile/Main Profile/High Profile
H.265 Type	Main Profile
Region of Interest (ROI)	1 fixed region for main stream
Network	
Simultaneous Live View	Up to 6 channels
API	ONVIF (PROFILE S), ISAPI, SDK
Protocols	TCP/IP, ICMP, HTTP, FTP, DHCP, DNS, DDNS, RTP, RTSP, RTCP, NTP, UPnP, SMTP, IGMP, QoS, IPv6, UDP, Bonjour, SSL/TLS
User/Host	Up to 32 users. 3 user levels: administrator, operator and user
Security	Password protection, complicated password, HTTPS encryption, IP address filter, security audit log, basic and digest authentication for HTTP/HTTPS, TLS 1.2, WSSE and digest authentication for ONVIF

Client	HiLookVision PC Client, HiLookVision App
Web Browser	Plug-in required live view: IE 10, IE 11 Local service: Chrome 57.0+, Firefox 52.0+
Image	
Day/Night Switch	Day, Night, Auto, Schedule
Image Enhancement	BLC, HLC, 3D DNR
Image Settings	Saturation, brightness, contrast, sharpness, gain, white balance adjustable by client software or web browser
Interface	
Communication Interface	1 RJ45 10M/100M self-adaptive Ethernet port
Intelligent (Traditional Algorithm)	
Basic Event	Motion detection, exception (illegal login)
General	
Linkage Method	Upload to FTP/NAS, notify surveillance center, send email, trigger recording, trigger capture
Web Client Language	2 languages English and Ukraine
General Function	Anti-flicker, heartbeat, mirror, privacy masks, password reset via e-mail
Software Reset	Reset via web browser and client software
Storage Conditions	-30 °C to 60 °C (-22 °F to 140 °F). Humidity 95% or less (non-condensing)
Startup and Operating Conditions	-30 °C to 60 °C (-22 °F to 140 °F). Humidity 95% or less (non-condensing)
Power Supply	12 VDC ± 25%, PoE: 802.3af, Type 1 Class 3, reverse polarity protection
Power Consumption and Current	12 VDC, 0.37 A, max. 4.5 W PoE (802.3af, 36 V to 57 V), 0.13 A to 0.08 A, max. 4.5 W
Power Interface	Ø5.5 mm coaxial power plug
Material	Main body: metal; enclosure: plastic
Camera Dimension	Ø105.4 × 99.1 mm (Ø4.1" × 3.9")
Package Dimension	150 × 150 × 141 mm (5.9" × 5.9" × 5.6")
Camera Weight	Approx. 360 g (0.8 lb.)
With Package Weight	Approx. 566 g (1.2 lb.)
Approval	
EMC	FCC (47 CFR Part 15, Subpart B); CE-EMC (EN 55032: 2015, EN 61000-3-2: 2014, EN 61000-3-3: 2013, EN 50130-4: 2011 +A1: 2014); RCM (AS/NZS CISPR 32: 2015); IC (ICES-003: Issue 6, 2016); KC (KN 32: 2015, KN 35: 2015)
Safety	UL (UL 60950-1); CB (IEC 60950-1:2005 + Am 1:2009 + Am 2:2013, IEC 62368-1:2014); CE-LVD (EN 60950-1:2005 + Am 1:2009 + Am 2:2013, IEC 62368-1:2014)
Environment	CE-RoHS (2011/65/EU); WEEE (2012/19/EU); Reach (Regulation (EC) No 1907/2006)
Protection	Ingression protection: IP67 (IEC 60529-2013)

▪ Available Model

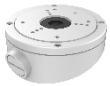
IPC-T249H(2.8 mm, 4 mm)

▪ Dimension



Unit: mm (inch)

▪ Accessory



HIA-J201

Inclined Ceiling
Mount



HIA-J102

Junction Box



HIA-B201

Corner Mount



HIA-B301

Vertical Pole Mount



HIA-B401-110T

Wall Mount